

IP65 Dual Sense Sensor with Bluetooth® 5.0 SIG Mesh

HIM84/UH (High Bay)

HF and PIR, Tri-level control & Daylight Harvest for Independent DALI/DALI2

HYTRONIK®

Bluetooth® CE RED CB IP65 UK

DUALsense™

Product Description

HIM84/UH is a Bluetooth DALI / DALI2 high-bay Dual-sense™ (Microwave + PIR) motion sensor, with a capability of up to 21m installation height. It is designed with robust IP65 structure. This product is flexible, with 3 different installation methods that can be chosen. With Bluetooth wireless mesh networking, it makes communication much easier without any hardwiring, which eventually adds value to luminaires and saves costs for projects. Meanwhile, simple device setup and commissioning can be done via **Koolmesh**® app.



App Features

- Quick setup mode & advanced setup mode
- Tri-level control
- Daylight harvest
- Circadian rhythm (Human centric lighting)
- Floorplan feature to simplify project planning
- Web app/platform for dedicated project management
- Koolmesh Pro iPad version for on-site configuration
- Grouping luminaires via mesh network
- Scenes
- Detailed motion sensor settings
- Dusk/Dawn photocell (Twilight function)
- Schedule to run scenes based on time and date
- Astro timer (sunrise and sunset)
- Staircase function (primary & secondary)
- Internet-of-Things (IoT) featured
- Device firmware update over-the-air (OTA)
- Device social relations check
- Bulk commissioning (copy and paste settings)
- Dynamic daylight harvest auto-adaptation
- Power-on status (memory against power loss)
- Offline commissioning
- Different permission levels via authority management
- Network sharing via QR code or keycode
- Remote control via gateway support HBGW01
- Interoperability with Hytronik Bluetooth product portfolio
- Compatible with EnOcean BLE switches
- Continuous development in progress...

Hardware Features

- DALI bus power supply
 - I guaranteed: 64 mA
 - I max.: 80mA
 - U rated: 16VDC
- 4 Modes
 - 4 work modes:
 - HF only
 - PIR only
 - HF + PIR
 - HF / PIR
- 3 Meth
 - 3 installation methods
- IP65 design
- High-bay (up to 21m height)
- 5-year warranty



Fully support EnOcean self-powered switch module PTM215B (HBES01/W & HBES01/B)

Bluetooth 5.0 SIG mesh

for iOS for Android

Smartphone app for both iOS & Android platform

for iPad

Koolmesh Pro app for iPad

for Web

Web app/platform: www.iot.koolmesh.com

Technical Data

Input Characteristics	
Mains voltage	220~240VAC 50/60Hz
Stand-by power	<1.5W
DALI bus power supply	I guaranteed: 64 mA I max.: 80mA U rated: 16VDC
Warming-up	30s

Safety and EMC	
EMC standard (EMC)	EN55015, EN61000-3-2/-3-3, EN61547
Safety standard (LVD)	EN60669-1, EN60669-2-1
Radio Equipment (RED)	EN300440, EN301489-1/-17/-3, EN50663, EN300328
Certification	UKCA, CE, EMC, RED, RCM

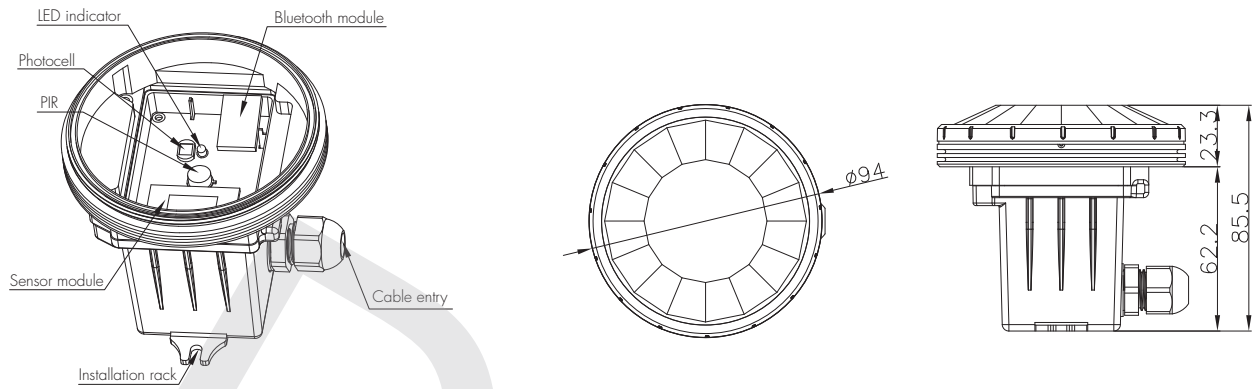
Sensor Data	
Sensor principle	High Frequency (microwave), PIR
Operation frequency	5.8GHz +/- 75MHz (HF)
Transmission power	<0.2mW (HF)
Sensor mode	4 modes: PIR, HF, PIR+HF, PIR/HF
Detection range	Max installation height: HF: 15m PIR: 21m Max detection range: HF: Ø = 24m (forklift)/20m (human) PIR: Ø = 26m
Detection angle	360°

Environment	
Operation temperature	Ta: -20°C ~ +50°C
IP rating	IP65

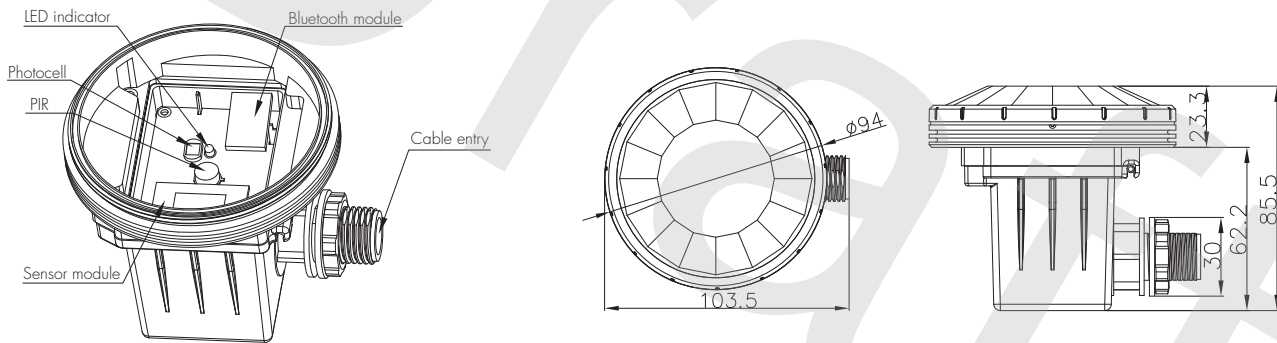
Mechanical Structures and Installations

For more details, please refer to user manual.

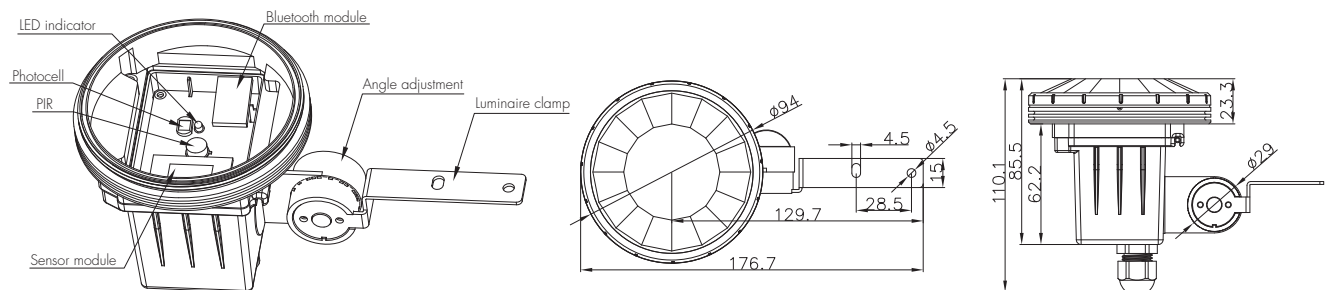
A. Ceiling mount (HIM84/UH-A)



B. Screw to the Luminaire by conduit (HIM84/UH-B)



C. Attach to the shade by clamp (HIM84/UH-C)

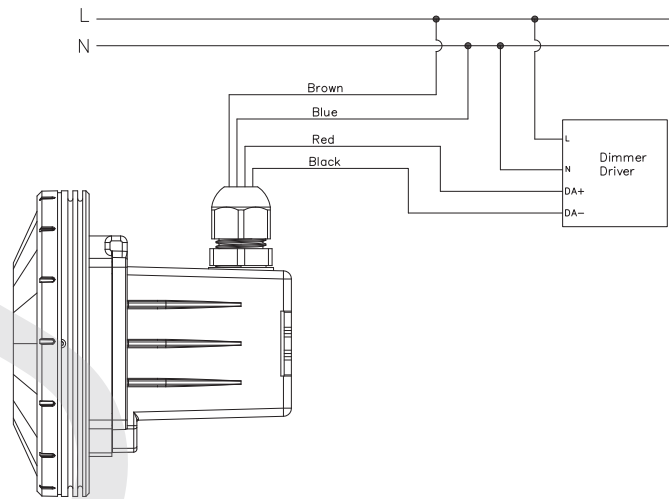


Note: We recommend the mounting distance between sensor to sensor should be more than 2m to prevent sensors from false-triggering.

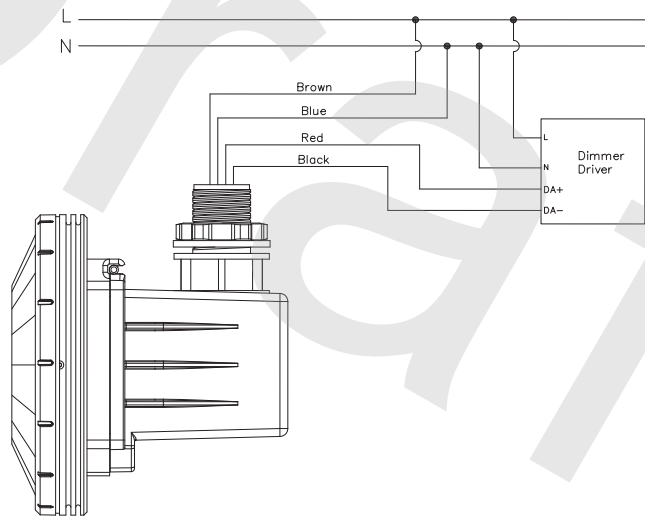
Wiring Diagram

—This product should be installed by a qualified electrician.

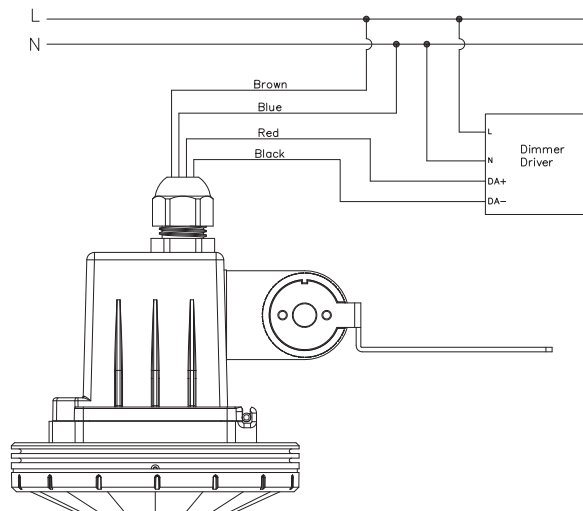
A. Ceiling mount (HIM84/UH-A)



B. Screw to the Luminaire by conduit (HIM84/UH-B)



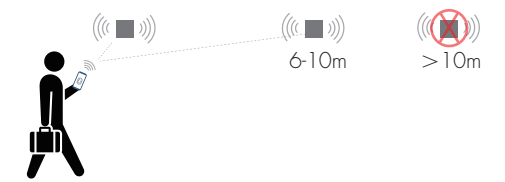
C. Attach to the shade by clamp (HIM84/UH-C)



Detection Pattern

Placement Guide and Typical Range

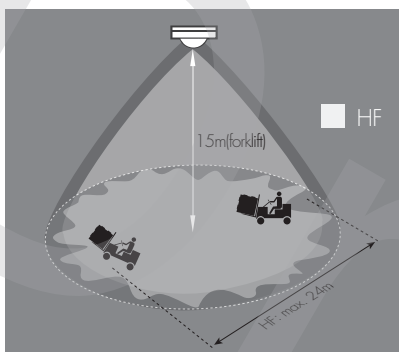
Smart Phone to Device Range



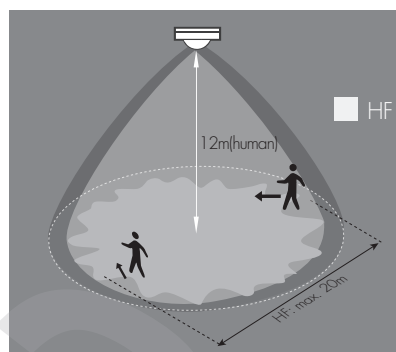
The smart device with the App installed will have a typical range of 10m, but varies from device to device. During commissioning, the installer will need to be in range of the devices when searching for devices to add to the network.

Once the devices have been added to the network via the App, the devices will start communicating within the wireless mesh. This means that once the network is complete, all devices are accessible from the smart device when in a 20m range of a single point.

a. High Frequency (microwave)



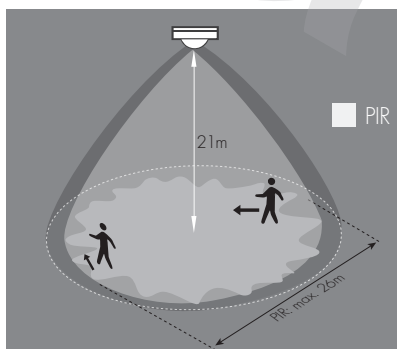
Forklift



Human

b. PIR

*When relative humidity < 65%, storage temperature < 25 C



Max installation height: 21m
 Max detection range:
 HF: Ø = 24m (forklift)/20m (human)
 PIR: Ø = 26m

Dual Sense Introduction

It's commonly known Microwave and Infrared are main detecting technologies in lighting controls. Both have the advantage and disadvantage for industrial applications.

Advantage

- * sensitive to minor motion.
- * sensitive to radial movement.
- * can be reflected by objects hence covering big detection area
- * resilient to heat source, smoke and air conditioner.



Advantage

- * no penetration, confined detection area.
- * sensitive to tangential movement.
- * resilient to motion object which has no heat radiation.



Disadvantage

- * penetrates walls, picks up motions outside of the office area;
- * back wave detection, false trigger by motions at the back.
- * can be false triggered by ventilation fans, water pipe, elevators etc. in industrial application.

Disadvantage

- * can be false triggered by air conditioner, smoke and other heat sources.

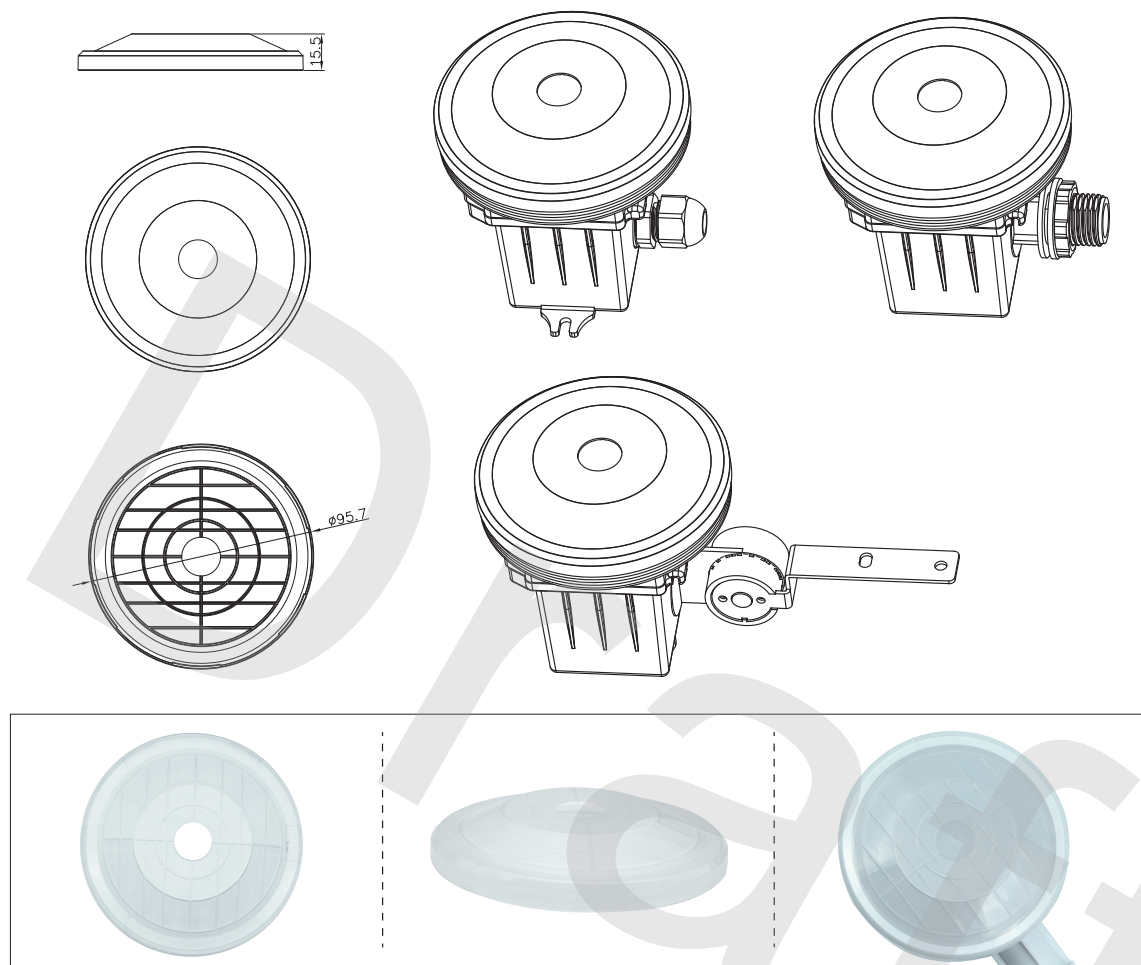
The remedy is to create Dual Sense by combining both technologies to make use of the advantage and bypass the disadvantage.

4 optional detection modes selectable:

- * HF: Microwave only
- * PIR: PIR mode only
- * HF+PIR: both PIR and microwave mode, to decrease the detection capability and detection area. Only when both detections are activated, the motion is considered valid. This is to prevent the sensor from false trigger by heat source, air conditioner, ventilation fans, water pipe and elevators etc...
- * HF/PIR: either PIR or microwave mode, to increase the detection capability and detection area;

Shielding Accessory

For the application of limited coverage areas (hallways), the line pattern of the shielding accessory can be freely removed by cutting to achieve a different range of shielding induction, for example, rectangular detection and semi-sphere detection. The portable design also provides an easy installation, which only needs to buckle the shielding accessory onto the lens.



Additional Information / Documents

1. To learn more about detailed product features/functions, please refer to www.hytronik.com/download ->knowledge ->Introduction of App Scenes and Product Functions
2. Regarding precautions for Bluetooth product installation and operation, please kindly refer to www.hytronik.com/download ->knowledge ->Bluetooth Products - Precautions for Product Installation and Operation
3. Regarding precautions for microwave sensor installation and operation, please kindly refer to www.hytronik.com/download ->knowledge ->Microwave Sensors - Precautions for Product Installation and Operation
4. Regarding precautions for PIR sensor installation and operation, please kindly refer to www.hytronik.com/download ->knowledge ->PIR Sensors - Precautions for Product Installation and Operation
5. Data sheet is subject to change without notice. Please always refer to the most recent release on [www.hytronik.com/products/bluetooth technology](http://www.hytronik.com/products/bluetooth%20technology) ->Bluetooth Sensors
6. Regarding Hytronik standard guarantee policy, please refer to www.hytronik.com/download->knowledge ->Hytronik Standard Guarantee Policy