

1. Description

Ceiling rose QCCR01 can be used when there is a need to take power from a conduit box. The installation-friendly design comes with a very spacious termination space for really easy wirings.

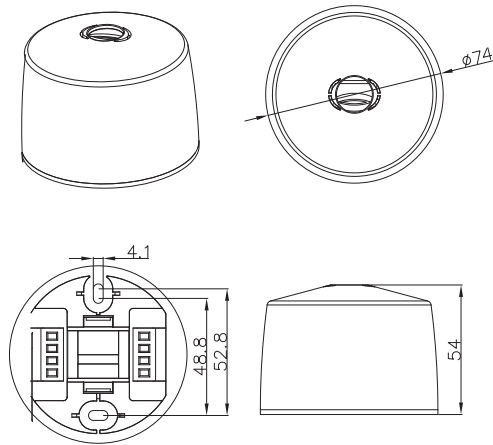
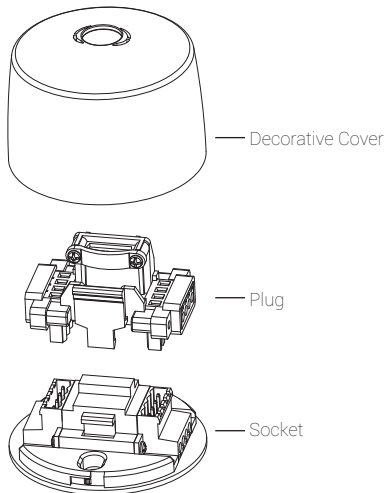
2. Key Features

- Can be freely placed or fixed with BESA/junction box
- Taking power from BESA/junction box
- Allowing fast connection with quick connection box
- Double latch feature to prevent loose connections
- Manufactured in flameretardant material

3. Technical Specifications

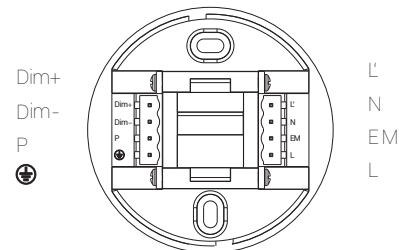
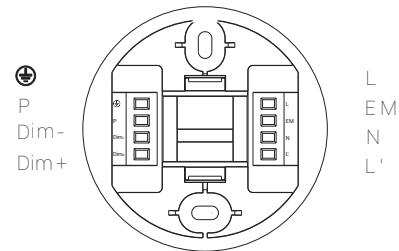
Voltage	250Vac
Frequency	50 Hz
Terminal capacity	2.5mm ²
Temperature	0 °c to 40 °c
Current rating	6A
Standard	BS5733

4. Dimensions (mm)

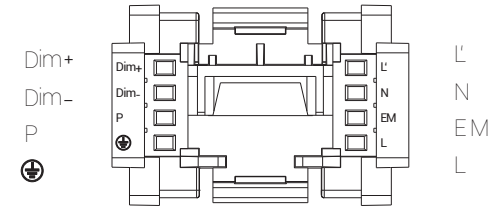


5. Input & Output Terminal Function

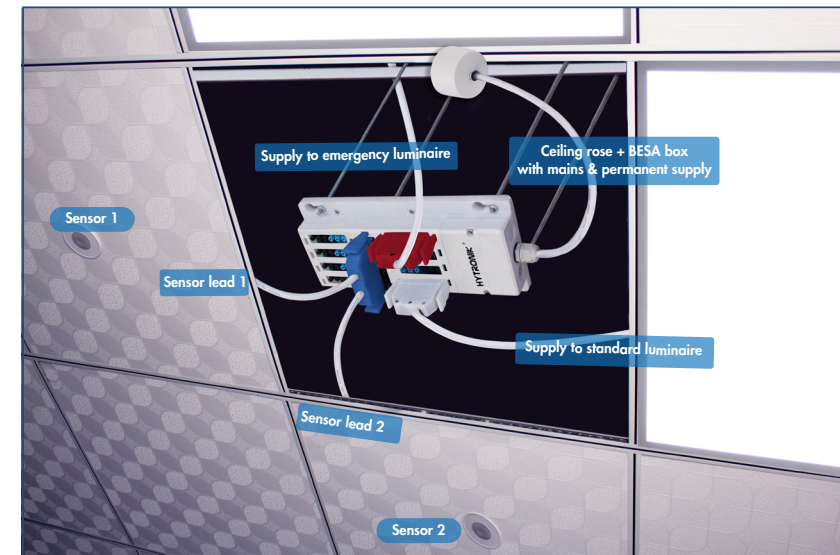
Terminal for Socket



Terminal for Plug



6. Connection to QCB/SCB series



Additional Information / Documents

1. Regarding Hytronik standard guarantee policy, please refer to www.hytronik.com/download ->knowledge ->Hytronik Standard Guarantee Policy