

Installation and Instruction Manual

HYTRONIK®

GST Type 4-Pole Terminal Base Quick Connection Box (QCB)

QCB01/ECO

1. Technical Specifications

Mains voltage	220-240VAC 50/60Hz
Rated load	Rating of system 16A, Rating of each output 10A
Terminal capacity	0.75 - 4.0mm ² (max. 2 x 2.5mm ²)
Storage temperature	-20°C ~ +60°C
Max. relative humidity	20 ~ 90%
Insulation	Class II

2. Description

GST type 4-pole terminal base quick connection box for non-dimmable control applications, with 12 luminaire outlets for one-channel control. Rating of system 16A, rating of each output 10A.

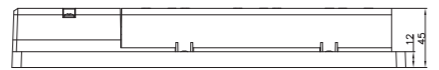
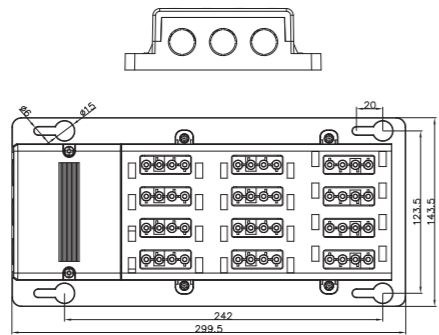
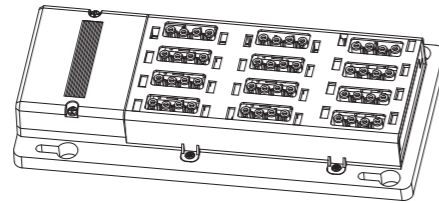
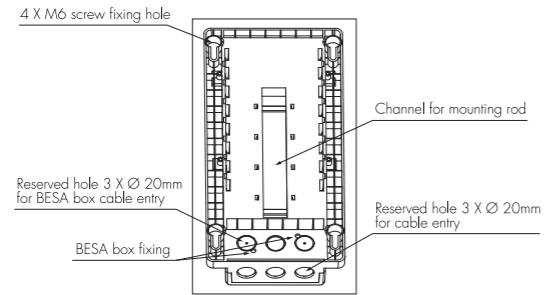
3. Key Features

- Non-dimmable control applications
- Economic design with 12 luminaire outlets
- Luminaire outlet: GST type 4-pole terminal base (L, E, N, Em)
- Black housing and white housing available to choose from
- Tamper-proof structure design
- Expandable: easy extension to another QCB01/ECO via plug 'n' play
- Rating of system: Max 16A, Rating of each output: Max 10A
- Flame-retardant material for safety protection

4. Your Benefits

- Five types of installation methods meets different project needs
- Reduce labour hours and labour cost significantly
- Simple and intuitive wiring connections
- Improved safety level during wiring operations
- Clear and clean wiring makes it easy for future maintenance
- Can be supplied with pre-wired cables

5. Dimensions (mm)

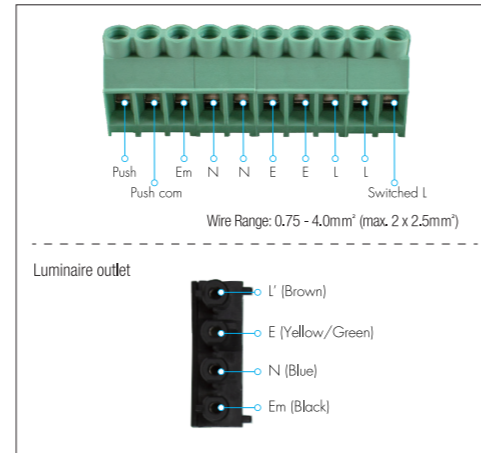


Warning:

- Installation of this device involves connecting it to the mains supply. This work must be carried out by a specialist in accordance with electrical technical regulations.
- Disconnect supply before installing.

HYTRONIK®

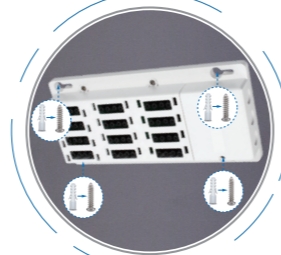
6. Input & Output Terminal Function



7. Installation methods

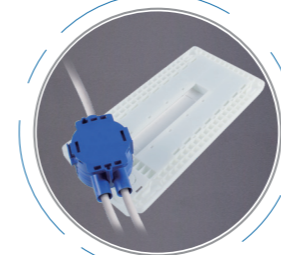
Surface Mount

It can work with 4 x M6 screws to fix onto both walls and ceilings.



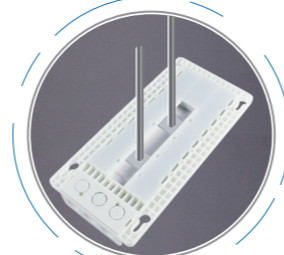
BESA/Junction Box Mount

It can be connected with BESA/junction box.



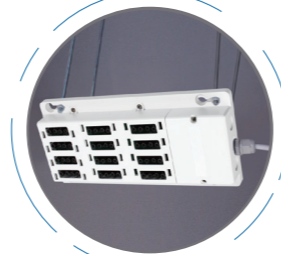
Channel Nut Mount

It can work with channel nuts to fasten into the back.



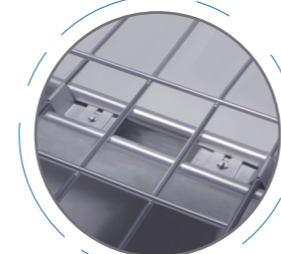
Mounting Rods

It can be fixed with mounting rods.



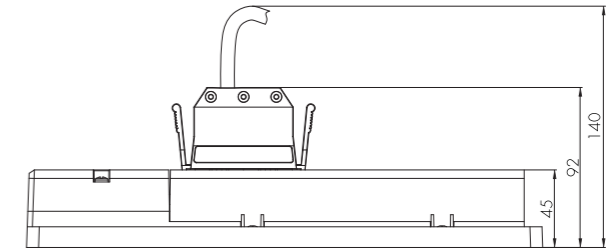
Marco Tray Mount

It can work with Marco clips steel wire cables tray system.



HYTRONIK®

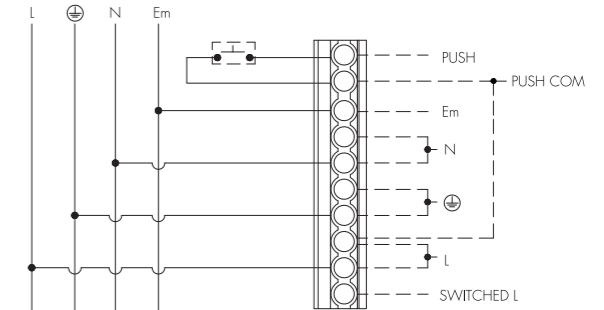
Minimum Installation Height



Note: The minimum height for total height of unit is 140mm (including connectors and cables).

8. Wiring Diagram

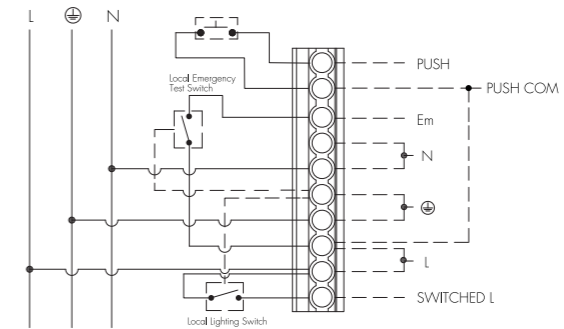
— This product should be installed by a qualified electrician.



Note: Do not wire across phases.

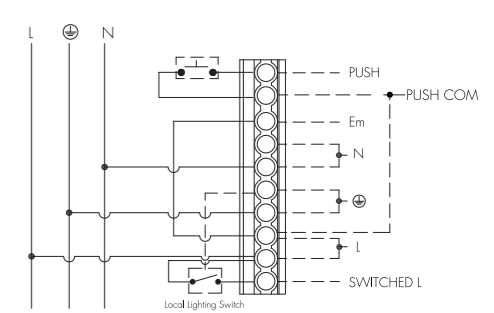
Wiring & Emergency Test

Local lighting switch and local emergency test switch



Note: Do not wire across phases.

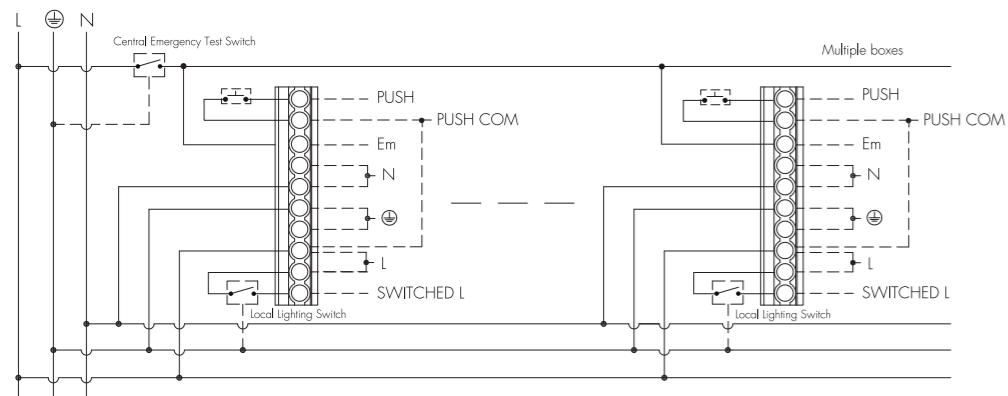
Using Local lighting switch for power interruption



Note: 1. A local lighting switch may still be used when there is a central emergency test switch or when a circuit breaker is used to interrupt the power.
2. Do not wire across phases.

HYTRONIK®

Emergency test using central switch



Note: 1. A local lighting switch may still be used when there is a central emergency test switch.
2. Do not wire across phases.

9. Ceiling Rose

Description

Ceiling rose QCCR01 can be used when there is a need to take power from a conduit box. The installation-friendly design comes with a very spacious termination space for really easy wirings.

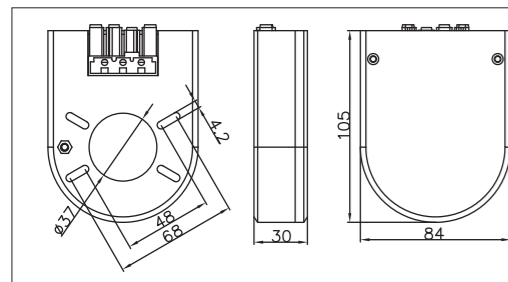
Key Features

- Can be freely placed or fixed with BESA/junction box
- Taking power from BESA/junction box
- 4-pole GST type connector (L, E, N, Em)
- Allowing fast connection with quick connection box
- 15mm depth big cabling space
- 48-68mm pitch for conduit mounting
- Nominal current max.16A
- Flame-retardant material for safety protection

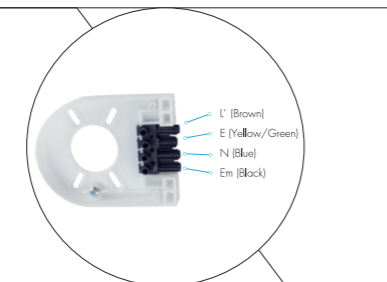


*QCCR01 is supplied with white color housing by default. Black color housing can be supplied upon request.

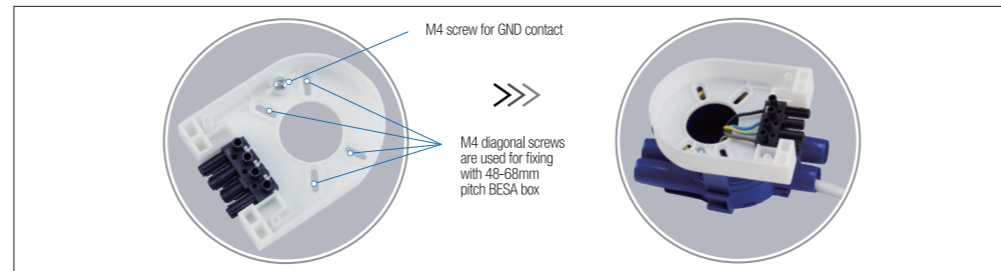
Mechanical Structure & Dimensions



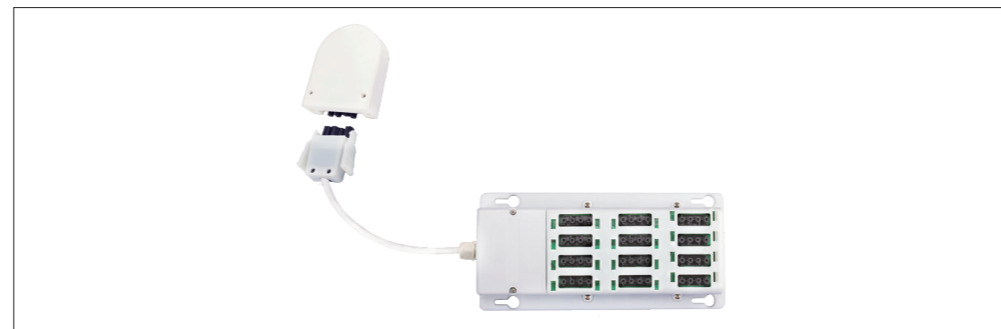
Input & Output Terminal Function



Secure QCB01/ECO with BESA/Junction box



Connection to QCB01/ECO



10. Additional Information / Documents

Regarding Hytronik standard guarantee policy, please refer to www.hytronik.com/download ->knowledge ->Hytronik Standard Guarantee Policy