

HDD2200



Application

For use in upgrade retrofit of trailing edge phase dimming controls, this dimmer will convert DALI control signals to the trailing edge drivers or transformers. It can realise savings on installation and wiring costs and will also reduce unnecessary waste of electronic equipment, making it an environmentally sound solution for a lighting control upgrade.

Features

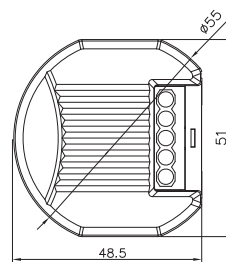
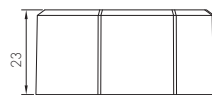
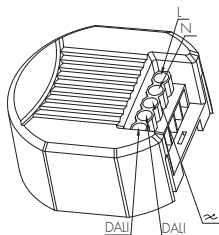
- DALI
- Over-heat Protection
- Over-load Protection
- 5 Year, 50,000hr Warranty



Technical Data

Dimming Range	Trailing edge dimming range 10% ~ 100%
Mounting Type	Built-in box 60mm or stand alone installation
Operating Voltage	220-240VAC 50Hz
Rated Load	200W(resistive); 200VA(capacitive)
Power Consumption	≤ 0.5W
DALI Power	2mA
Operating Temperature	Ta: -20~+50 C
Safety Standard	EN60669-1; EN60669-2-1
EMC Standard	EN55015, EN61547, EN61000-3-2, EN61000-3-3
DALI Standard	IEC62386-101; IEC62386-102; IEC62386-205
Certifications	Semko, CB, CE, EMC, RCM

Dimensions and Terminals



Wire Preparation

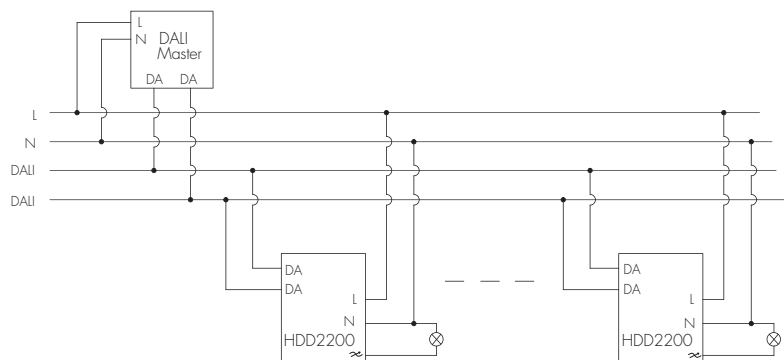


0.75 - 4mm²



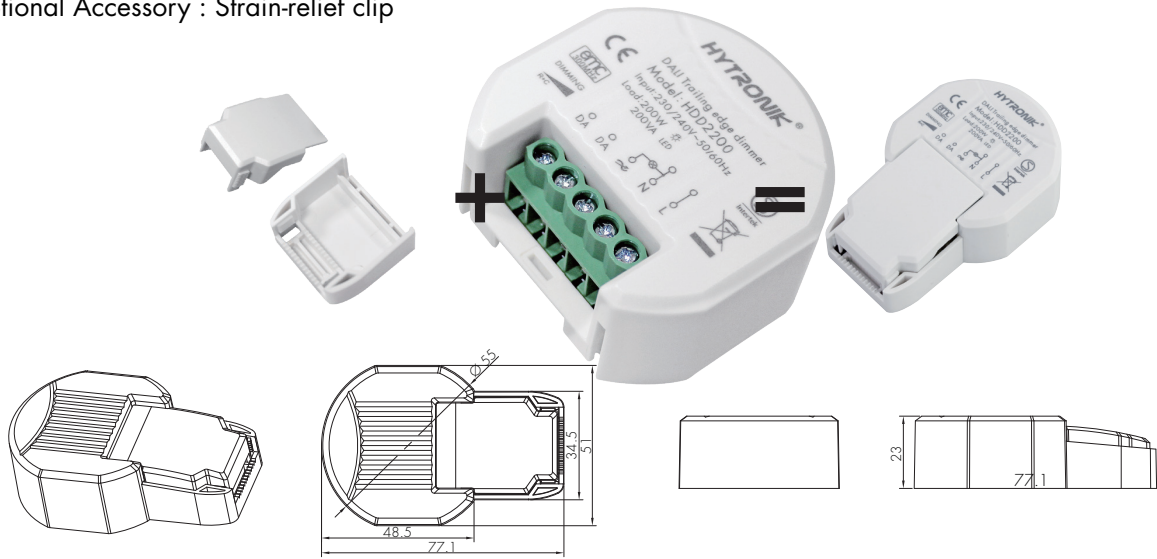
Solid or Stranded wire type

Wiring Diagram



1. 200 metres (total) max. for 1 mm² CSA (Ta = 50°C)
2. 300 metres (total) max. for 1.5mm² CSA (Ta = 50°C)

Optional Accessory : Strain-relief clip



Note :

The current version product has done the test with the Tridonic gateway/DALI master and working properly. However, it might have a potential risk of compatibility issues with 3rd party DALI gateways or DALI masters, Hytronik cannot guarantee it will be fully compatible with all the 3rd party DALI gateways or DALI masters. Therefore, before a mass quantity order has been placed, customers need to make a full compatibility test between these products and their own 3rd party DALI gateways or DALI masters to make sure the product is working properly and no such compatibility issue. Otherwise, the potential compatibility risk and responsibility shall be taken by the customers themselves. Hytronik's Guarantee policy will not be applied to this.