

## Switch-Dim to 0/1-10V Control Dimming Interface

HD8200V  
0/1-10V

# HYTRONIK®

UK CB CE emc RED IP20

### Product Description

Ideal for mounting into a standard lighting backbox, this dimmer interface provides smooth dimming via the popular Switch-DIM logic to light fixtures using 0/1-10V control technology.

- Office / Commercial Lighting
- Home office / Domestic use

Use for retrofit upgrades & new installations.



### Hardware Features

- 0/1-10V output with relay control:  
400VA (capacitive) and 800W (resistive)
- 2 Push inputs for flexible manual control
- Zero crossing detection circuit to reduce in-rush current and prolong relay lifetime
- Permanent Memory
- Short-circuit protection
- Overload protection
- 5-year warranty

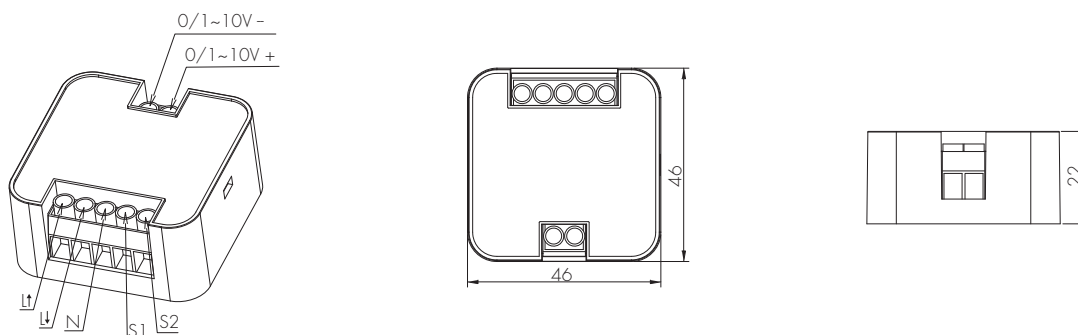
### Technical Specifications

Environment	
Operation temperature	Ta: -20°C ~ +45°C
Case temperature (Max.)	Tc: +75°C
Storage temperature	-40°C ~ 70°C
Relative humidity	20 ~ 90%
IP rating	IP20
Insulation	Class II

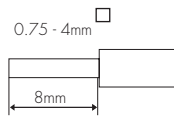
Input & Output Characteristics	
Operating voltage	220~240VAC 50Hz
Stand-by power	<0.5W
Load ratings	400VA(Capacitive), 800W(Resistive)

Safety & EMC	
EMC standard (EMC)	EN55015, EN61547 EN62479, EN61000
Safety standard (LVD)	IEC/EN 61058, AS/NZS 61058
Radio Equipment (RED)	EN300 328, EN301489-1/-17, EN62479
Certification	Semko, CB, CE, EMC, RED, RCM

### Mechanical Structure & Dimensions

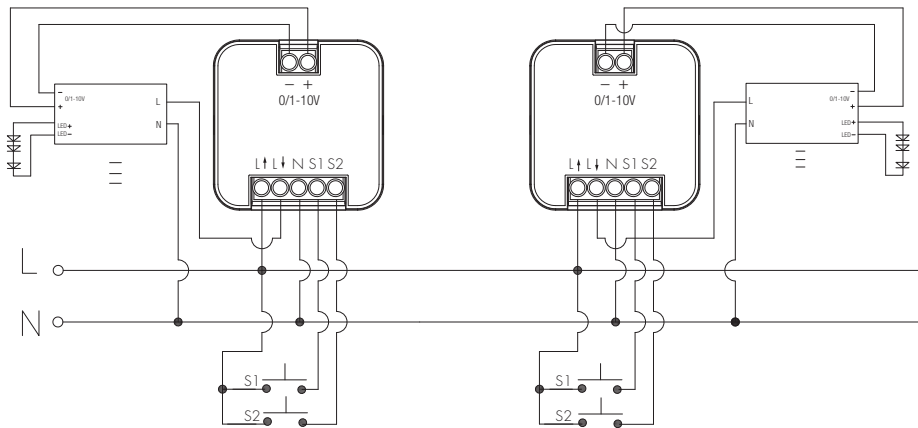


## Wire Preparation



To make or release the wire from the terminal, use a screwdriver to push down the button.

## Wiring Diagram



## Dimming Interface Operation Notes

### Switch-Dim

The provided Switch-Dim interface allows for a simple dimming method using commercially available non-latching (momentary) wall switches.

Switch Function	Action	Descriptions
Push switch	Short press (<1 second) Push1/ Push2 * Short press has to be longer than 0.1s, or it will be invalid.	- Turn on/off - Turn on only - Turn off only
	Long press ( $\geq 1$ second) Push1	- 1-10V Dimming
	Long press ( $\geq 1$ second) Push2	- 0-10V Dimming

## Additional Information / Documents

- Data sheet is subject to change without notice. Please always refer to the most recent release on [www.hytronik.com/products/Accessorise](http://www.hytronik.com/products/Accessorise)
- Regarding Hytronik standard guarantee policy, please refer to [www.hytronik.com/download ->knowledge ->Hytronik Standard Guarantee Policy](http://www.hytronik.com/download->knowledge->Hytronik%20Standard%20Guarantee%20Policy)