

HAKS01/B

Switches Plastic Bezel | Single-switch Square | Black Color



Benefits

Visual Contrast: The raised surroundings make it easy to notice and approach

Simple: attractive single-switch square design

User-friendly: Simple installation and removal

Applications

Single mounting for one switch

Offices, Classrooms

Healthcare

Check Out the Complete System Solution on the Website:
<https://www.hytronik.com/product/HAKS01-B>

Product Description

The Switch Bezel is an accessory for Hytronik kinetic switches, designed for wall mounting. It enhances accessibility, especially for individuals with visual impairments or limited hand mobility. Compliant with the UK's Part M regulations, it ensures safe and easy usage for all users. basalt grey outline that surrounds the white switch, aiding quick identification and ease of use.

HAKS01/B

Switches Plastic Bezel | Single-switch Square | Black Color

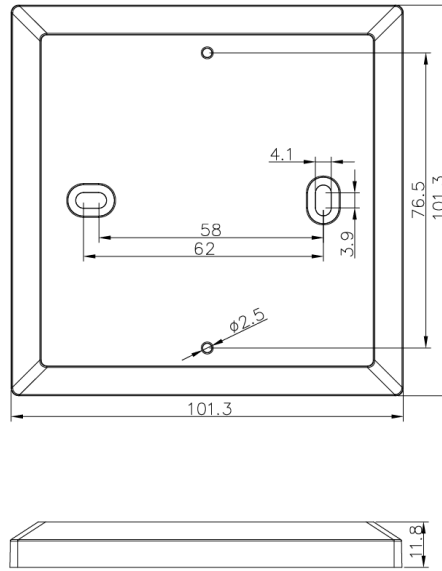
Specifications

Technical	
Product weight	36.0 g
Product height	11.6 mm
Product length	101.3 mm
Product width	101.3 mm
Mounting hole	4.1 mm

HAKS01/B

Switches Plastic Bezel | Single-switch Square | Black Color

Technical Drawing

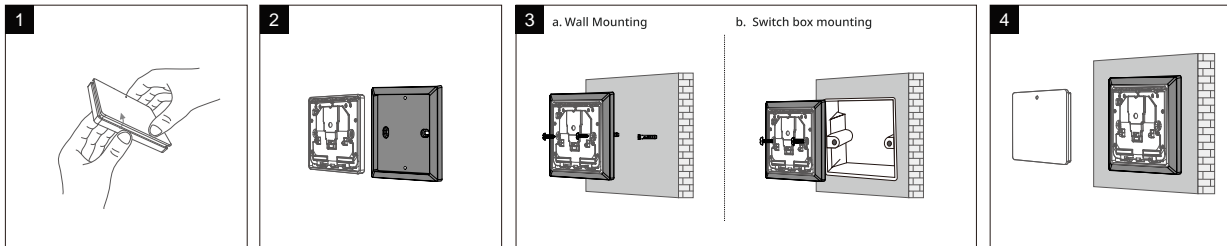


HAKS01/B

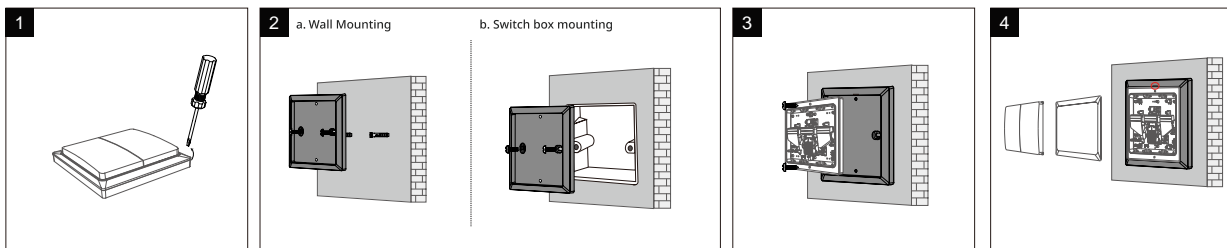
Switches Plastic Bezel | Single-switch Square | Black Color

Installation Process

A.



B.



Detailed Installation Instructions

Method A. Installation steps with HBKS01, HBKS02, HBKS03

1. Use both hands to lift the cover upward and remove it from the base.
2. Align the screw holes of the switch with the mounting holes of the HAKS01 accessory.
3. Secure the switch backplate and HAKS01 accessory:
 - a. For wall mounting: Use $\text{Ø}4.0 \times 20\text{mm}$ screws to fix the aligned switch and HAKS01 onto the wall.
 - b. For switch box mounting: Use $\text{Ø}4.0 \times 30\text{mm}$ screws to fix the aligned switch and HAKS01 onto the switch box.
4. Snap the cover back onto the base to complete the installation.

Method B. Installation steps with HBKS01D, HBKS02D

1. Use a prying tool or screwdriver to carefully lift and open the switch bezel.
2. Secure HAKS01:
 - a. For wall mounting: Use $\text{Ø}4.0 \times 20\text{mm}$ screws to fix HAKS01 onto the wall.
 - b. For switch box mounting: Use $\text{Ø}4.0 \times 30\text{mm}$ screws to fix HAKS01 onto the switch box.
3. Attach the switch backplate to the installed HAKS01 and secure it properly.
4. Snap the cover back onto the base to complete the installation.

Notes for Method B

1. Please control the screw tightening torque during assembly (recommended 0.1 N·m) to avoid panel deformation caused by uneven stress, which may affect button feel or function. Proper torque ensures both structural stability and appearance quality.
2. Remove the switch when the installation is completed: At the accessory groove, use a pry tool or a $\text{Ø}3\text{mm}$ screwdriver to gently lift and remove the border. This will expose the two screw holes from installation step 3, enabling future disassembly or replacement.

HAKS01/B

Switches Plastic Bezel | Single-switch Square | Black Color

Options

Compatible products (for full functionality)



HBKS01/W

Bluetooth Kinetic Switch | One-gang | Wireless Control
www.hytronik.com/product/HBKS01-W



HBKS02D/W

Bluetooth Kinetic Switch | Double Rocker | White Color
www.hytronik.com/product/HBKS02D-W



HBKS01D/W

Bluetooth Kinetic Switch | Single Rocker | White Color
www.hytronik.com/product/HBKS01D-W



HBKS03/W

Bluetooth Kinetic Switch | Three-gang | White Color
www.hytronik.com/product/HBKS03-W



HBKS02/W

Bluetooth Kinetic Switch | Two-gang | White Color
www.hytronik.com/product/HBKS02-W