

# HA09/B

Metal Mount Box | Surface Mounting | Black Color



## Benefits

- Convenient: Housing in stand-alone sensor for surface mount
- Durable: Metal materials for robust ceiling/surface installations
- Easy: Simple installation

## Applications

- Sensor housing for ceiling/surface mounting
- Offices
- Classrooms

Check Out the Complete System Solution on the Website:  
<https://www.hytronik.com/product/HA09-B>



## Product Description

The HA09 Metal Mount Box offers seamless integration with standalone sensors, providing robust support for ceiling or surface installations. Crafted from durable metal, it ensures reliable mounting in diverse environments, enhancing sensor functionality and accessibility.

# HA09/B

Metal Mount Box | Surface Mounting | Black Color

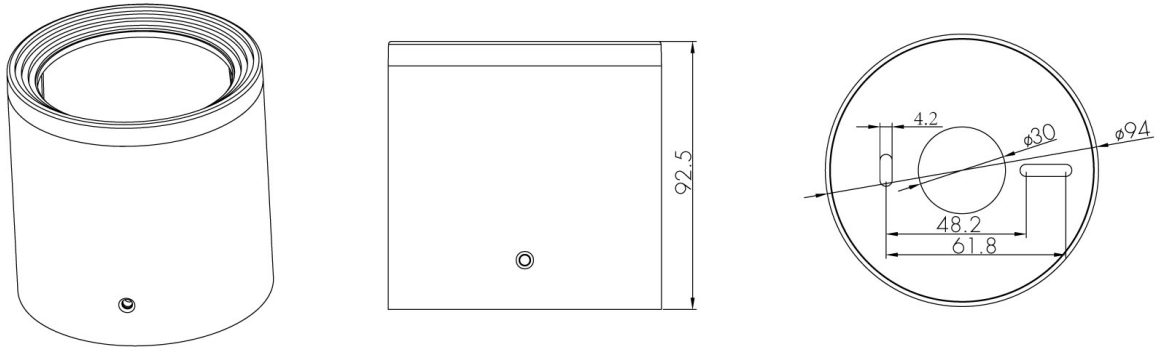
## Specifications

Technical	
Product weight	230.0 g
Product height	92.5 mm
Product length	94.0 mm
Product width	94.0 mm
Mounting hole	4.2 mm

# HA09/B

Metal Mount Box | Surface Mounting | Black Color

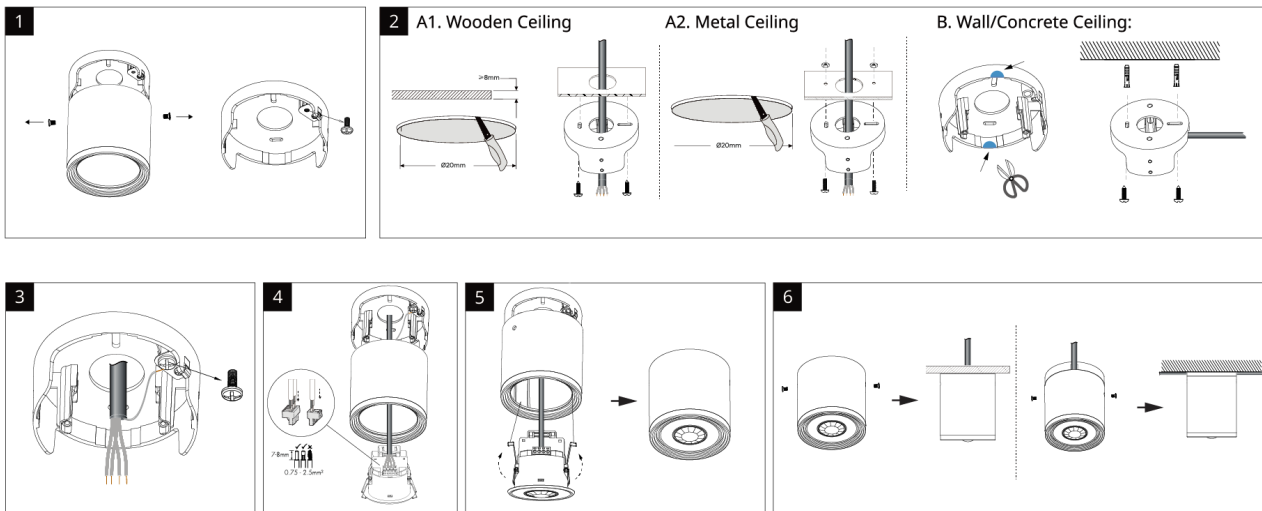
## Technical Drawing



# HA09/B

Metal Mount Box | Surface Mounting | Black Color

## Installation Process



## Detailed Installation Instructions

1. Disassemble the Metal Box: Remove the screws at both ends of the sleeve. Separate the base and the Sleeve. Then also remove the grounding screw.

2. Fix the Base: Begin by securing the base according to the type of installation site:

### A. Wooden/Metal Ceiling:

Drill a  $\varnothing 20\text{mm}$  hole. Feed the cable through the ceiling and backplate.

Wood: Use self-tapping screws to fix the base.

Metal: Use M4 machine screws with nuts for better stability.

Note: For both wooden and metal ceilings, ensure the structure can support a minimum weight of 350g.

### B. Wall/Concrete Ceiling:

To allow cable routing from either side, cut open the thin sections on both ends of the base (see the blue areas in the diagram for reference). We recommend using heavy-duty scissors or shears for this step. Then, use self-tapping screws to securely fix the base to the wall or concrete ceiling.

3. Wiring: Attach the ground wire.

4. The connected terminal wires pass through the sleeve, then connect the corresponding functional cables to the sensor.

5. Bend back springs and Insert the sensor into the metal box.

6. Reassemble the Sleeve: Align the screw holes on both sides and secure the box body to the base. Then complete the installation.

# HA09/B

Metal Mount Box | Surface Mounting | Black Color

## Commissioning Instructions and Precautions

1. This product should be installed by a qualified electrician.
2. Installation steps vary depending on ceiling type. Follow the datasheet for approved installation process to ensure compliance.

**Warning:** For additional important documents, including installation precautions, product guidelines, and guarantee conditions, please refer to the official downloads.

<https://hytronik.com/service/downloads>

# HA09/B

Metal Mount Box | Surface Mounting | Black Color

## Options

### Compatible products (for full functionality)



#### **HBIR29**

PIR Lowbay | Bluetooth DALI + Circadian Rhythm | Ceiling mounting

[www.hytronik.com/product/HBIR29](http://www.hytronik.com/product/HBIR29)



#### **HBIR29/UH**

PIR Highbay | Bluetooth DALI + Circadian Rhythm | Ceiling mounting

[www.hytronik.com/product/HBIR29-UH](http://www.hytronik.com/product/HBIR29-UH)



#### **HBIR29/H**

PIR Highbay | Bluetooth DALI + Circadian Rhythm | Ceiling mounting

[www.hytronik.com/product/HBIR29-H](http://www.hytronik.com/product/HBIR29-H)



#### **HBIR29/W**

PIR Lowbay | Bluetooth DALI + Circadian Rhythm | Ceiling mounting

[www.hytronik.com/product/HBIR29-W](http://www.hytronik.com/product/HBIR29-W)



#### **HBIR29/R**

PIR Midbay | Bluetooth DALI + Circadian Rhythm | Ceiling mounting

[www.hytronik.com/product/HBIR29-R](http://www.hytronik.com/product/HBIR29-R)



#### **HBMW29/PRO**

True Occupancy | Bluetooth/DALI | Ceiling mounting

[www.hytronik.com/product/HBMW29-PRO](http://www.hytronik.com/product/HBMW29-PRO)



#### **HBIR29/RH**

PIR Highbay | Bluetooth DALI + Circadian Rhythm | Ceiling mounting

[www.hytronik.com/product/HBIR29-RH](http://www.hytronik.com/product/HBIR29-RH)