

HA02

Plastic Mount Box | Surface Mounting | White Color



Benefits

Harmonious: Improved sensor integration with sleek mounting solutions

Convenient: Housing in stand-alone sensor for surface mount

Easy: Simple installation

Applications

Sensor housing for ceiling/surface mounting

Offices

Classrooms

Check Out the Complete System Solution on the Website:
<https://www.hytronik.com/product/HA02>



Product Description

HA02 is an optional surface mount box designed to complement our range of sensors including HIR20, HMW2 series. This accessory is engineered for versatility, with a default IP rating of IP20 for general indoor use. Made of lightweight and safe plastic material, ensures reliable mounting in diverse environments, enhancing sensor functionality and accessibility.

HA02

Plastic Mount Box | Surface Mounting | White Color

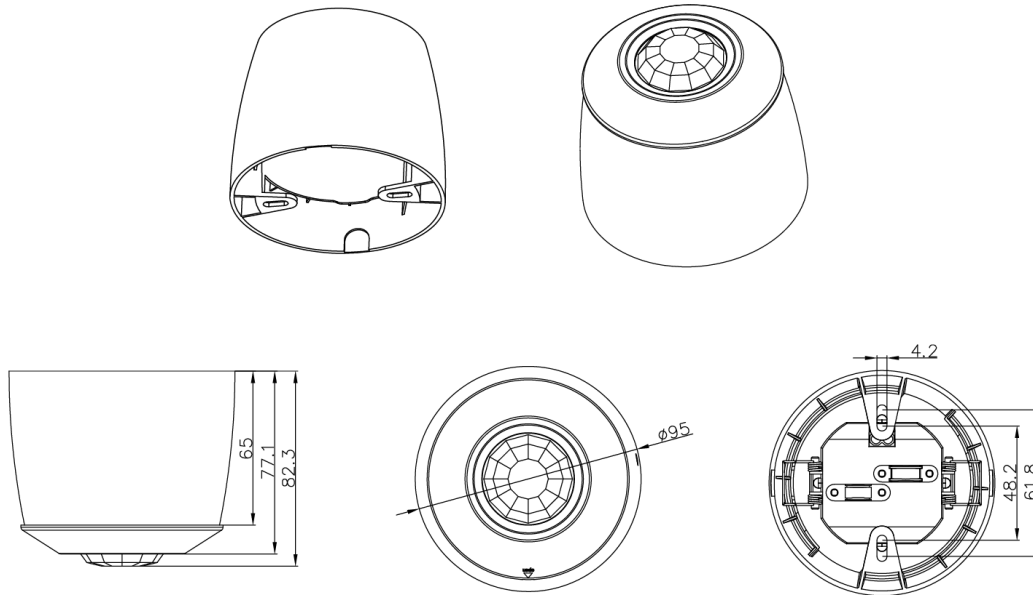
Specifications

Technical	
Product weight	63.0 g
Product height	77.1 mm
Product length	95.0 mm
Product width	95.0 mm
Mounting hole	4.2 mm

HA02

Plastic Mount Box | Surface Mounting | White Color

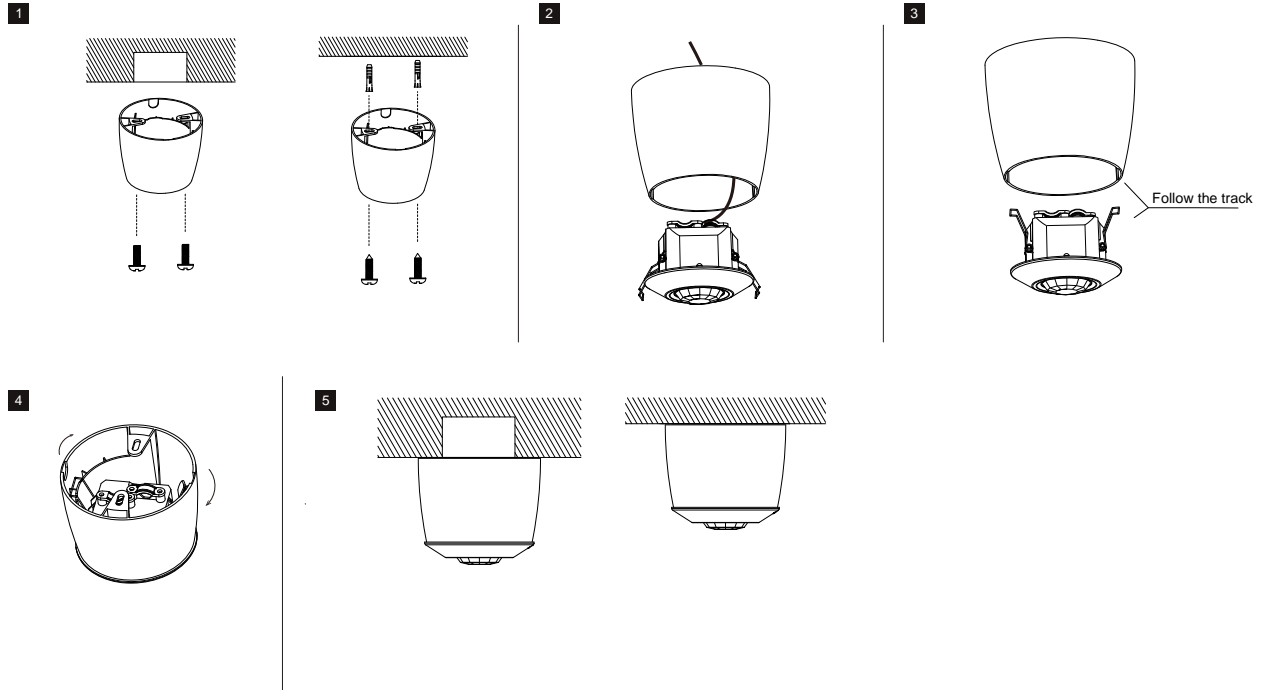
Technical Drawing



HA02

Plastic Mount Box | Surface Mounting | White Color

Installation Process



Detailed Installation Instructions

1. Fix the surface-mount box.
 - a. with junction box
 - b. without junction box
2. Fix the cable.
3. Align the groove with the spring and install the sensor into the surface-mount box.
4. Rotate the sensor counter-clockwise till the end to tighten up.
5. Finished.
 - a. with junction box
 - b. without junction box

HA02

Plastic Mount Box | Surface Mounting | White Color

Options

Compatible products (for full functionality)



HIR20

PIR Lowbay | Remote controller ON/OFF | Ceiling mounting
www.hytronik.com/product/HIR20



HMW22

HF Lowbay | Daylight Harvest | Ceiling mounting
www.hytronik.com/product/HMW22



HMW20

HF Lowbay | ON/OFF | Ceiling mounting
www.hytronik.com/product/HMW20



HMW24

HF Lowbay | Daylight Harvest & DALI | Ceiling mounting
www.hytronik.com/product/HMW24



HMW21

HF Lowbay | 1-10V | Ceiling mounting
www.hytronik.com/product/HMW21



HMW25

HF Lowbay | Tri-level + DALI | Ceiling mounting
www.hytronik.com/product/HMW25