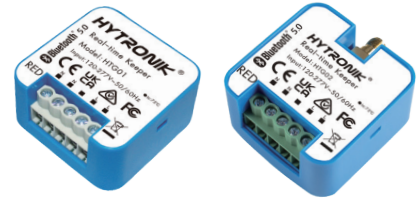




**Product Description**

HTG01 & HTG02 are Bluetooth modules with a real-time chip built in that can keep real time running for up to 12 weeks during power loss, which is very convenient for Bluetooth system/network where there is constant need for power on/off. When a product group mesh network is created, the entire network takes HTG01 or HTG02 as the authoritative time. External Bluetooth antenna can be connected for a longer Bluetooth broadcast distance.



HTG01

HTG02

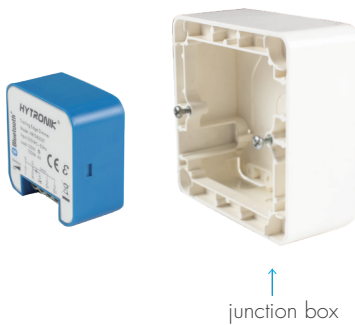
**App Features**

- Compatible with EnOcean BLE switches
- Grouping luminaires via mesh network
- Device firmware update over-the-air (OTA)
- Continuous development in progress...

**Hardware Features**

- With reinforced antenna (for HTG02 only)
- Bluetooth range extender
- Ability to keep real-time for up to 12 weeks during power loss
- Short-circuit protection
- 5-year warranty

**Typical Switch Box Mounting**



**Bluetooth 5.0 SIG mesh**

HYTRONIK

iOS

Android

for iOS

for Android

Smartphone app for both iOS & Android platform

---

for iPad

Koolmesh Pro app for iPad

---

Web

for Web

Web app/platform: [www.iot.koolmesh.com](http://www.iot.koolmesh.com)



HTG01

- ※ Standard version
- ※ Keep up to 12 weeks time during power loss
- ※ Repeater / Bluetooth range extender
- ※ Up to 30m transmission distance



HTG02

- ※ Reinforced version
- ※ Keep up to 12 weeks time during power loss
- ※ Repeater / Bluetooth range extender



Default Antenna

※ Up to 50m transmission distance

## Technical Specifications

Bluetooth Transceiver	
Operation frequency	2.4 GHz - 2.483 GHz
Transmission power	4 dBm
Range (Typical indoor)	10~30m
Protocol	Bluetooth® 5.0 SIG Mesh

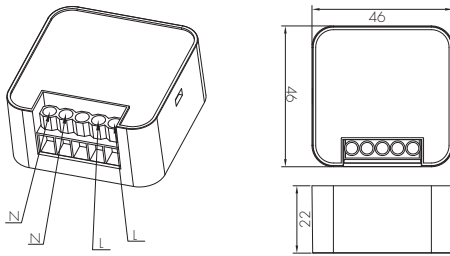
Safety & EMC	
EMC standard (EMC)	EN 55015, EN61547, EN 61000-3-2/3-3
Safety standard (LVD)	EN61347-1, EN 61347-2-11
RED	EN 300328, EN 301489-1/-17

Input & Output Characteristics	
Operating voltage	120~277VAC 50/60Hz

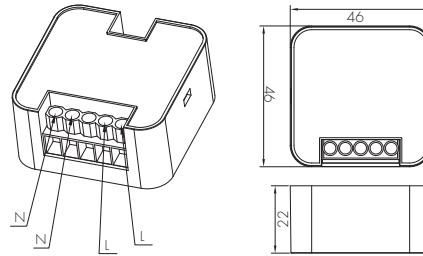
Environment	
Operation temperature	Ta: -20°C ~ +60°C
Storage temperature	-40°C ~ 70°C
Relative humidity	10 ~ 90%
IP rating	IP20
Insulation	Class II

## Mechanical Structure & Dimensions

HTG01



HTG02

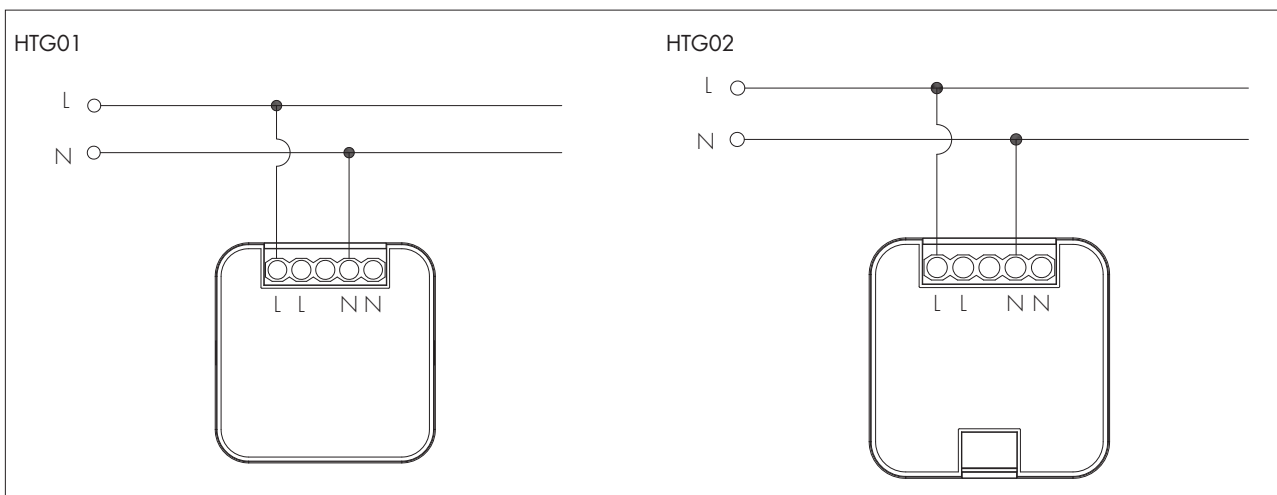


## Wire Preparation



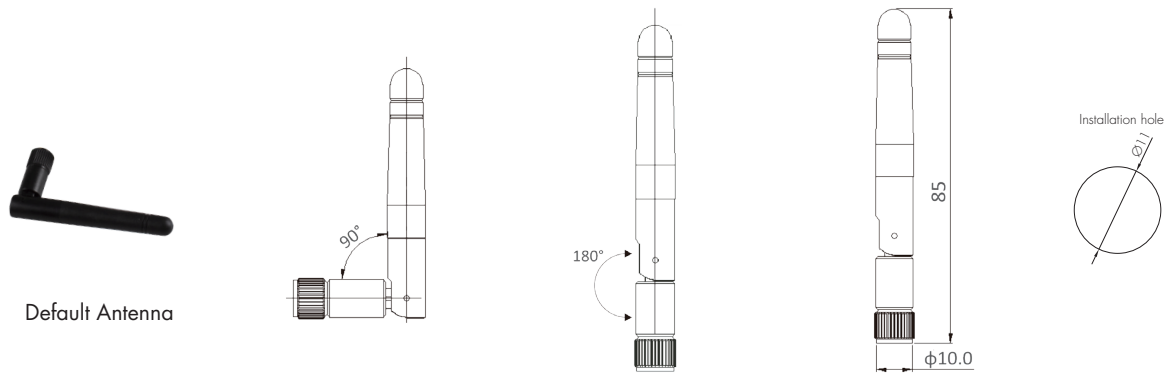
To make or release the wire from the terminal, use a screwdriver to push down the button.

## Wiring Diagram



## Default Reinforced Bluetooth antenna(for HTG02)

For some special Applications, customers may need a larger Bluetooth transmission for both smartphone to device and device to device. The reinforced Bluetooth antenna, with it being added to the HTG02, the transmission distance(smartphone to device) enlarges to 20m, the distance of device to device is around 50m.



## Additional Information / Documents

1. To learn more about detailed product features/functions, please refer to [www.hytronik.com/download->knowledge->Introduction of App Scenes and Product Functions](http://www.hytronik.com/download->knowledge->Introduction%20of%20App%20Scenes%20and%20Product%20Functions)
2. Regarding precautions for Bluetooth product installation and operation, please kindly refer to [www.hytronik.com/download->knowledge->Bluetooth Products - Precautions for Product Installation and Operation](http://www.hytronik.com/download->knowledge->Bluetooth%20Products%20-%20Precautions%20for%20Product%20Installation%20and%20Operation)
3. Regarding Hytronik standard guarantee policy, please refer to [www.hytronik.com/download->knowledge->Hytronik Standard Guarantee Policy](http://www.hytronik.com/download->knowledge->Hytronik%20Standard%20Guarantee%20Policy)