

NEW!

SCB02/BLE



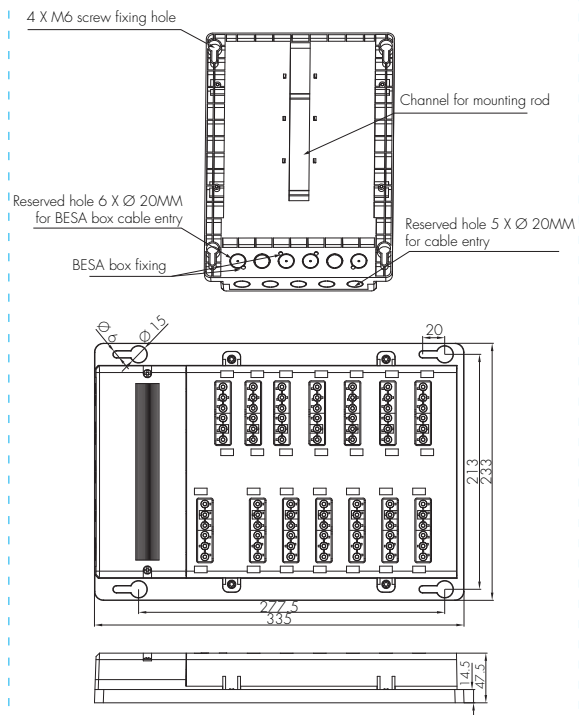
Key Features

- Dimmable & Switching applications
- Dual-circuit design for applications with both essential & non-essential supplies
- Intelligent control with Bluetooth 5.0 SIG mesh module built in
- Detailed Bluetooth system features can be viewed on page 05-11
- Luminaire outlet: GST type 6-pole terminal base (L', N, E, Em, Dim+, Dim-)
- 4 Low-volt SELV RJ45 sensors ports (can be daisy chained)
- 4 SELV switch inputs
- Support VFC (volt-free contact) & 2 ELT switches
- Support up to 8 luminaire channels (via app)
- Black housing and white housing available to choose from
- Tamper-proof structure design
- Expandable: easy extension to another SCB01/BLE wirelessly!
- Rating of system - - - Max. 100mA DALI power supply & 400VA capacitive & 800W resistive (each outlet/socket).
- Flame-retardant material for safety protection

Your Benefits

- Five types of installation methods meets different project needs
- Reduce labour hours and labour cost significantly
- Simple and intuitive wiring connections
- Improved safety level during wiring operations
- Clear and clean wiring makes it easy for future maintenance
- Can be supplied with pre-wired cables

Dimensions (mm)

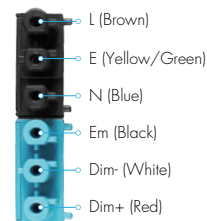
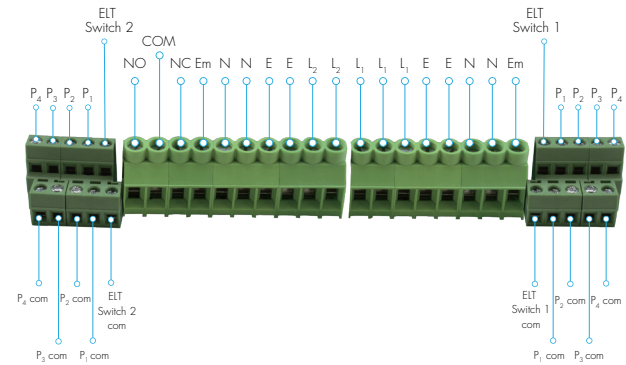


* White color housing by default. Black color housing can be supplied upon request.

Ordering data

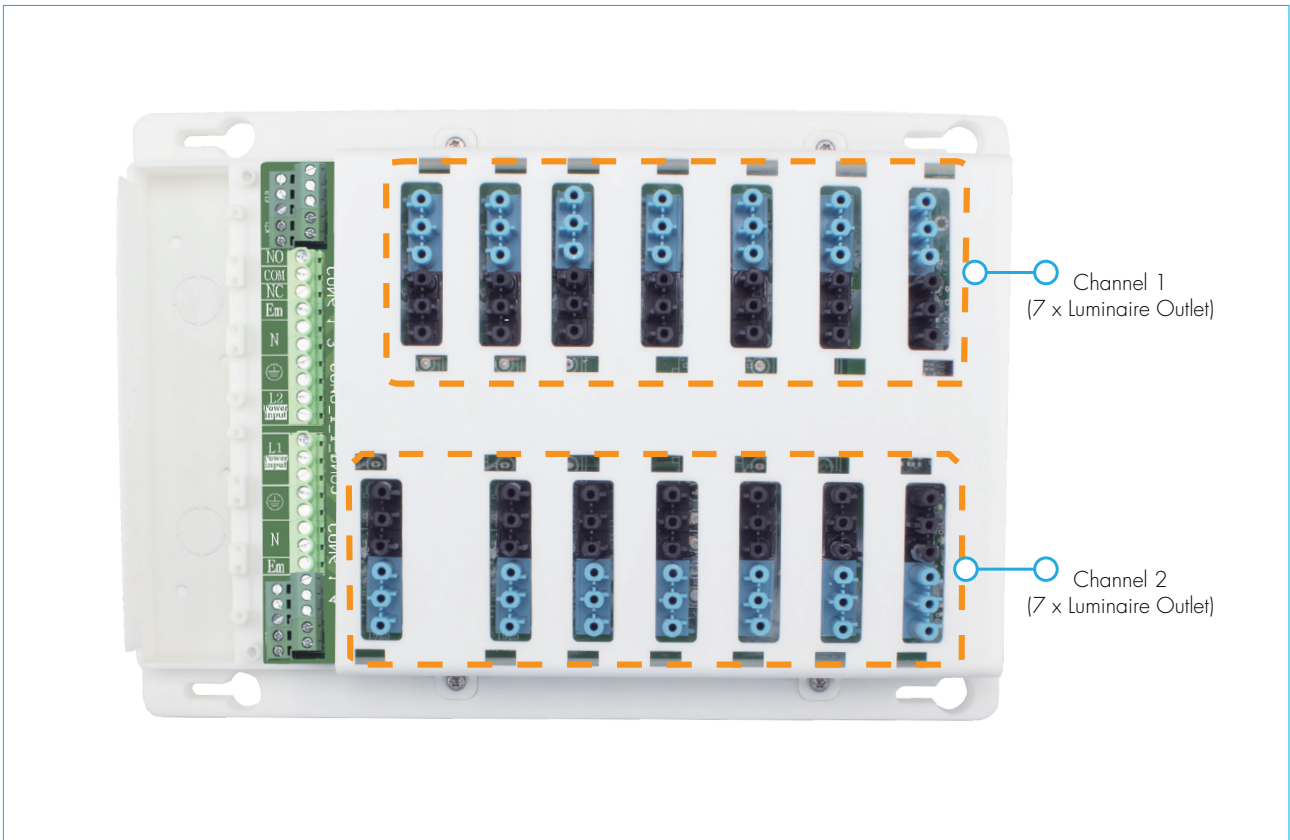
Model name	Description
SCB02/BLE	<p>Dual-circuit design for applications with both essential & non-essential supplies.</p> <p>Designed for low-volt (SELV) applications with SELV sensor connection and SELV PUSH/retractive switch.</p> <p>GST type 6-pole terminal base quick connection box for dimming (DALI-2) & switching application, 14 luminaire outlets, 4 SELV RJ45 sensor outlets and 4 SELV switch inputs. Support up to 8 luminaire channels via app, and an extra channel for VFC (volt-free contact) and two extra channel for ELT switches.</p>

Input & Output Terminal Function



Luminaire outlet

Wire Range:
0.75 - 4.0mm²
(max. 2 x 2.5mm²)



SELV (Low-volt) Direct Current Sensor Options



What's so Helpful about SCB02/BLE Bluetooth "Intelligent" Control ?

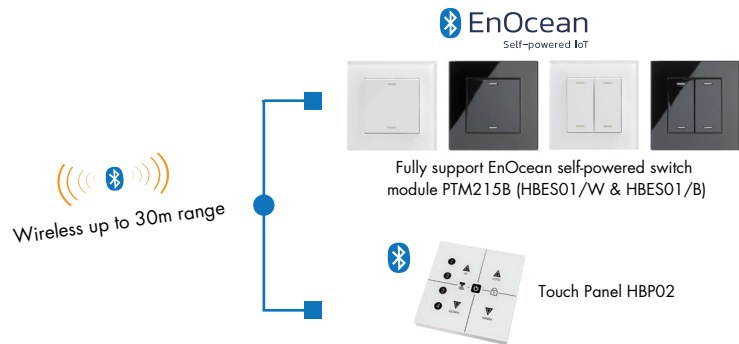
1. User enjoys the full set of powerful Bluetooth features (see page 05-11 for details).



2. Traditional way to extend number of luminaire outlets requires hard-wiring from one box to another. Now thanks to the Bluetooth mesh network, SCB02/BLE can be easily extended to another SCB02/BLE wirelessly!



3. SCB02/BLE can be wirelessly controlled by an EnOcean Bluetooth self-powered switch or Hytronik's Bluetooth touch panel HBPO2.



4. Channel Grouping. Simple tick-box channels to group luminaire channels together!