

QCB02



* White color housing by default. Black color housing can be supplied upon request.

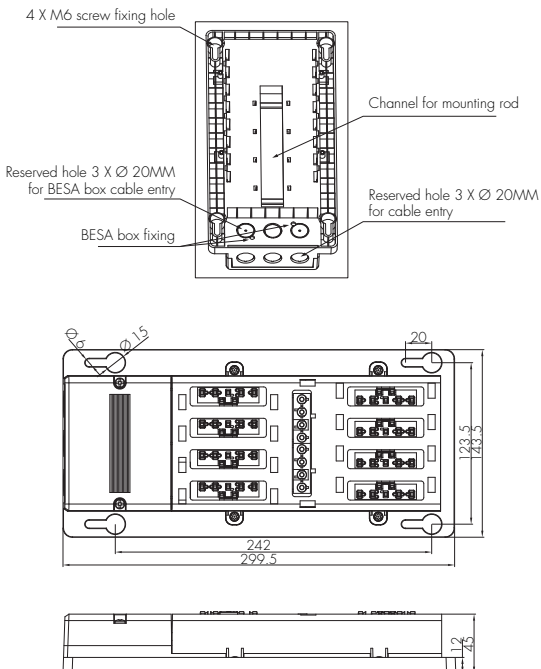
Key Features

- Dimmable control applications (DALI or DALI-2)
- 8 luminaire outlets + 1 extra sensor outlet for sensor connection
- Luminaire outlet: Wago 5-pole terminal base (L' or L, N, E, DA+, DA-)
- Sensor outlet: GST type 8-pole terminal base (L, P1, N, DA-, DA+, P2, DA-, DA2+)
- Black housing and white housing available to choose from
- Freely switch between 1-channel (1 x 8) & 2-channel (2 x 4) control
- Tamper-proof structure design
- Expandable: easy extension to another QCB02 via plug ' n ' play
- Rating of system: Max 16A. Rating of each output: Max 10A
- Flame-retardant material for safety protection

Your Benefits

- Five types of installation methods meets different project needs
- Reduce labour hours and labour cost significantly
- Simple and intuitive wiring connections
- Improved safety level during wiring operations
- Clear and clean wiring makes it easy for future maintenance
- Can be supplied with pre-wired cables

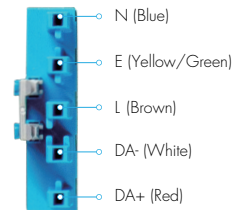
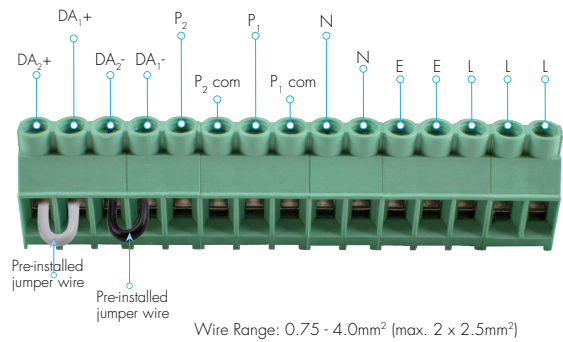
Dimensions (mm)



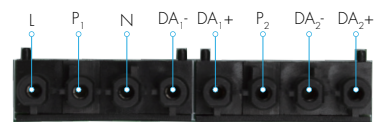
Ordering data

Model name	Description
QCB02	Wago 5-pole terminal base quick connection box for dimming application, with DALI or DALI-2 output, 8 luminaire outlets and 1 sensor outlet. Freely switch between 1-channel and 2-channel control. Rating of system 16A, rating of each output 10A.

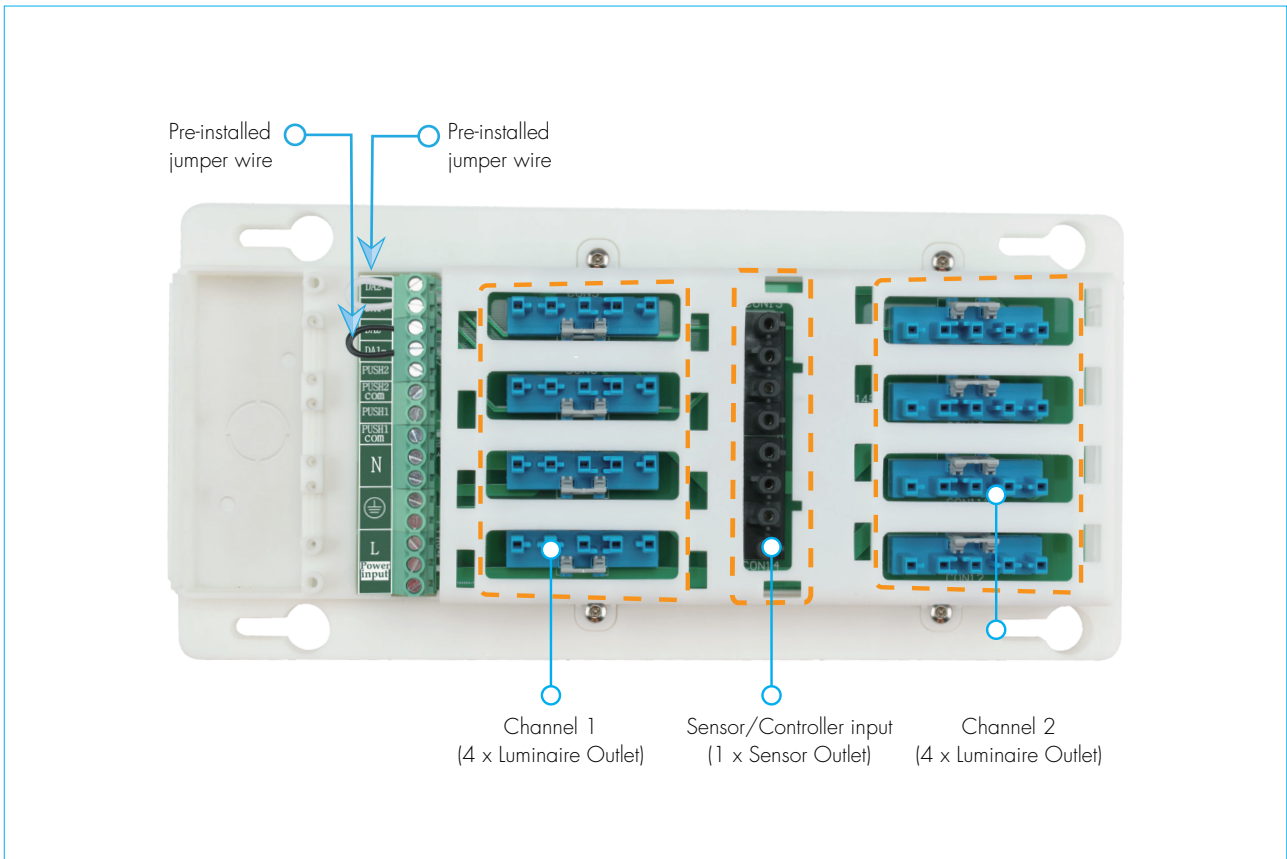
Input & Output Terminal Function



Luminaire outlet



Sensor outlet



Factory default for QCB02 comes with two pre-installed jumper wires. The black jumper wire short-connects DA₁- and DA₂-, and the white jumper wire short-connects DA₁+ and DA₂+. With these jumper wires, user can freely switch between one-channel and two-channel control.

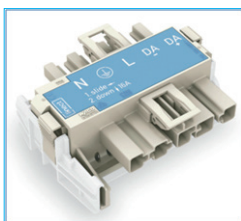
- 1) one-channel (1 x 8) DALI dimming --- keep both black wire & white wire.
- 2) two-channel (2 x 4) dual DALI dimming --- remove both black wire & white wire.

In this case the two channels will be controlled separately (channel 1 is controlled by DA₁+ & DA₁-, and channel 2 is controlled by DA₂- & DA₂+).

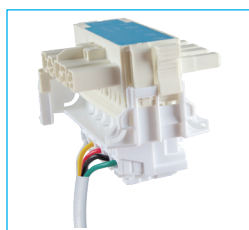
This flexible design aims to reduce model inventories for users, and just one box is capable enough to handle different requirements on the project site. Easy for management, and powerful for usage!

Connecting to **linect** System!

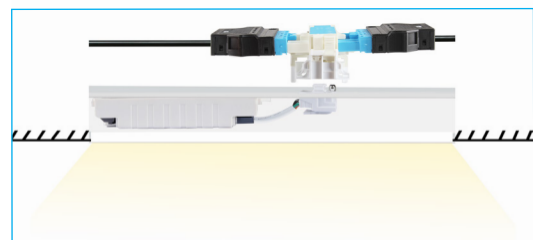
QCB02 products are also able to be integrated to linect connection **linect** system. With the T-connector module, connection to luminaires can be easily extended (luminaire needs to be **linect** connection enabled).



Wago 5 pole Linect® T-connector



Prewired Wago 5 pole Linect® T-connector



Install to luminaires to achieve easy extension