

1. Description

Wieland 4-pole terminal base quick connection box for non-dimmable control applications, with 8 luminaire outlets and 1 sensor outlet. Freely switch between 1-channel and 2-channel control. Rating of system 16A, rating of each output 10A.

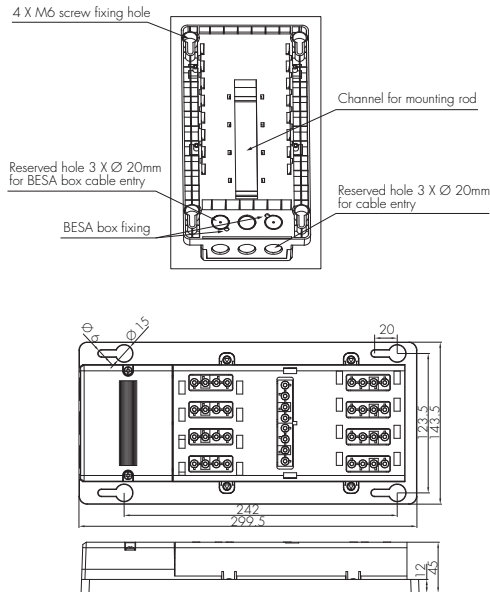
2. Key Features

- Non-dimmable control applications
- 8 luminaire outlets + 1 extra sensor outlet for sensor connection
- Luminaire outlet: GST type 4-pole terminal base (L, N, E, Em)
- Sensor outlet: GST type 8-pole terminal base (L, N, E, L1', L2', P1, P2)
- Black housing and white housing available to choose from
- Freely switch between 1-channel (1 x 8) & 2-channel (2 x 4) control
- Tamper-proof structure design
- Rating of system: Max 16A. Rating of each output: Max 10A
- Flame-retardant material for safety protection

3. Your Benefits

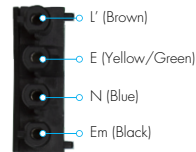
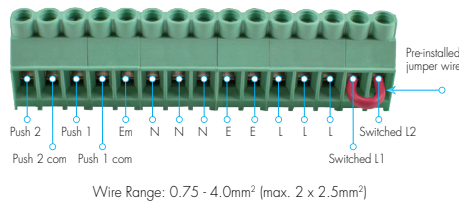
- Five types of installation methods meets different project needs
- Reduce labour hours and labour cost significantly
- Simple and intuitive wiring connections
- Improved safety level during wiring operations
- Clear and clean wiring makes it easy for future maintenance
- Can be supplied with pre-wired cables

4. Dimensions (mm)

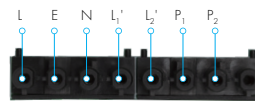


Attention: When the input power supplies are from two different phases, the voltage between the two L terminal could be as high as 415V.

5. Input & Output Terminal Function

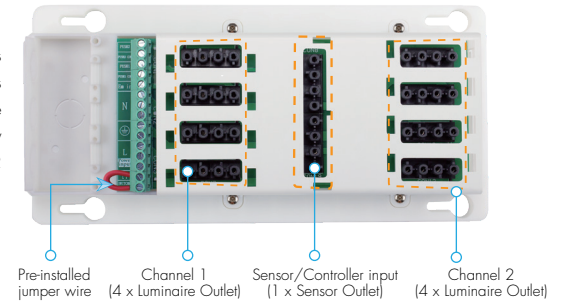


Luminaire outlet



Sensor outlet

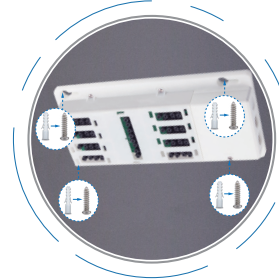
By removing this pre-installed jumper wire, the 8 outlets are then divided into two separate channels. This QCB01 becomes a 2-channel box with 2 x 4 luminaire outlet. The two channels will be controlled separately (Channel 1 is controlled by Switched L1, and Channel 2 is controlled by Switched L2).



6. Installation methods

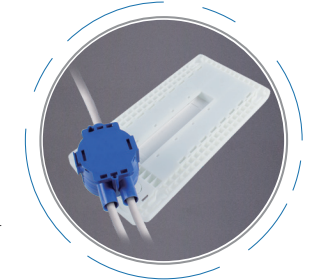
Surface Mount

It can work with 4 x M6 screws to fix onto both walls and ceilings.



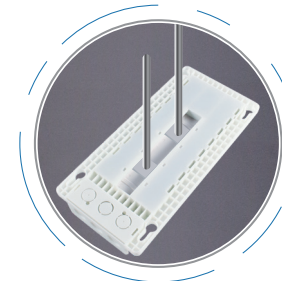
BESA/Junction Box Connection

It can be connected with BESA/junction box.



Channel Nut Mount

It can work with channel nuts to fasten into the back.



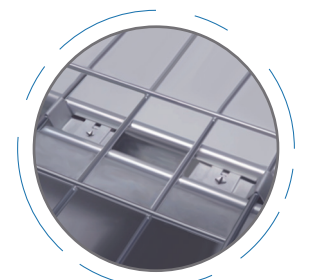
Mounting Rods

It can be fixed with mounting rods.



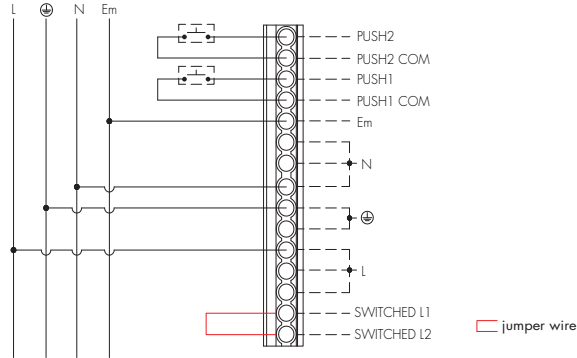
Marco Tray Mount

It can work with Marco clips steel wire cables tray system.



7. Wiring Diagram

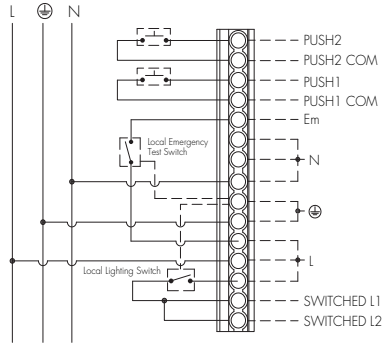
Factory default setting with a pre-installed jumper wire One-channel (1x8) switching control



Note: 1. For two-channel (2x4) switching control please remove the jumper wire.
2. Do not wire across phases.

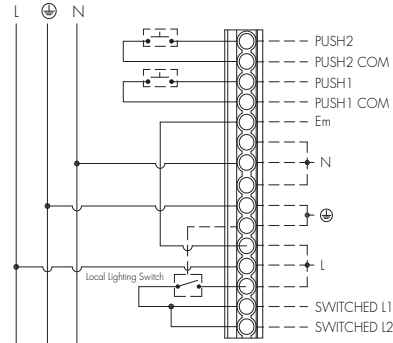
Wiring & Emergency Test

Local lighting switch and local emergency test switch

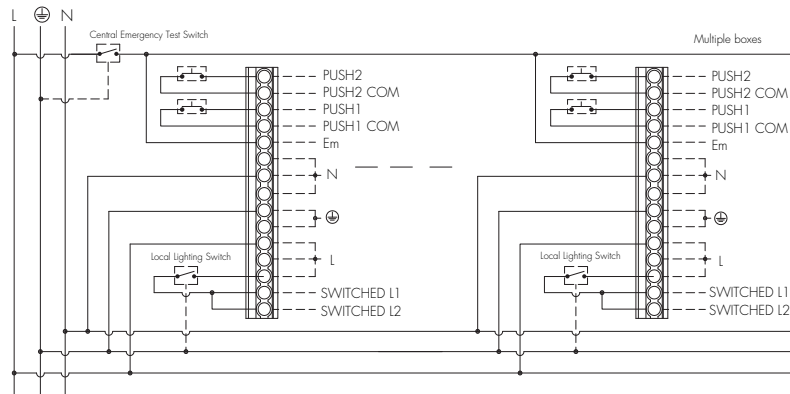


Note: 1. A local lighting switch may still be used when there is a central emergency test switch or when a circuit breaker is used to interrupt the power.
2. Do not wire across phases.

Using Local lighting switch for power interruption



Emergency test using central switch



Note: 1. A local lighting switch may still be used when there is a central emergency test switch.
2. Do not wire across phases.

8. Ceiling Rose

Description

Ceiling rose QCCR01 can be used when there is a need to take power and dimming signal from a conduit box. The installation-friendly design comes with a very spacious termination space for really easy wirings.

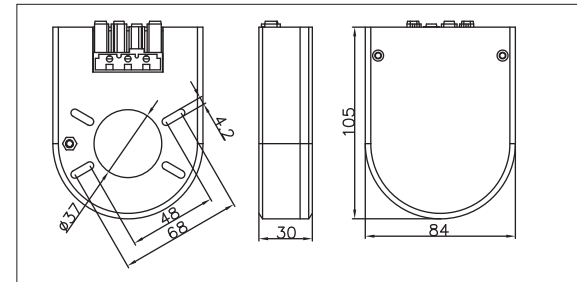
Key Features

- Can be freely placed or fixed with BESA/junction box
- Taking power from BESA/junction box
- 6-pole GST type connector (L, E, N, Em, Dim+, Dim-)
- Allowing fast connection with quick connection box
- 15mm depth big cabling space
- 48-68mm pitch for conduit mounting
- Nominal current max.16A
- Flame-retardant material for safety protection

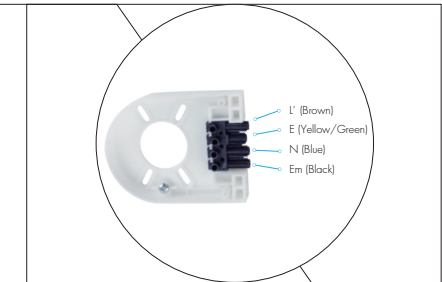


*QCCR01 is supplied with white color housing by default. Black color housing can be supplied upon request.

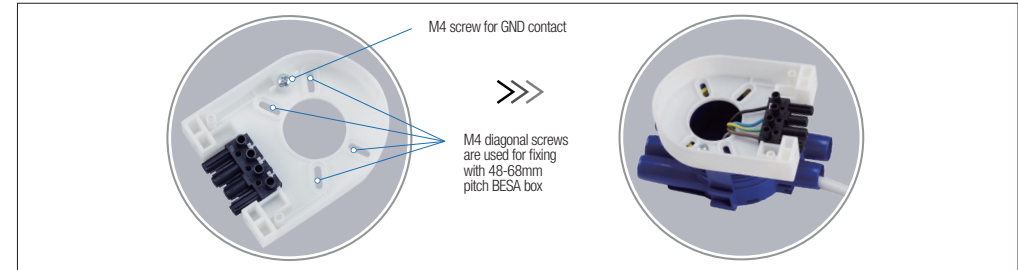
Mechanical Structure & Dimensions



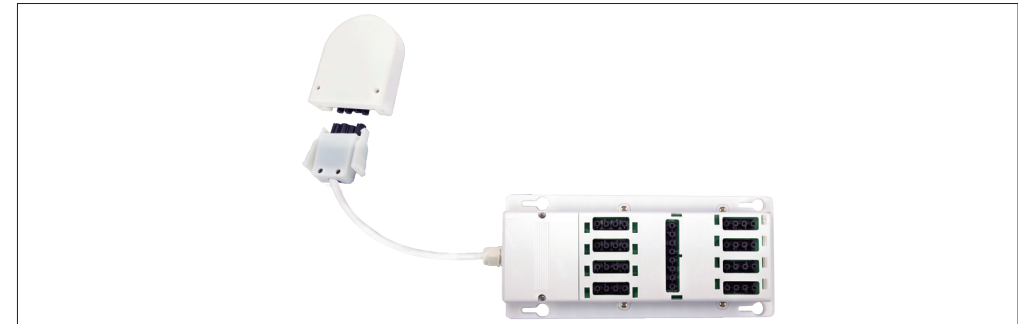
Input & Output Terminal Function



Secure QCB01 with BESA/Junction box



Connection to QCB01



9. Additional Information / Documents

Regarding Hytronik standard guarantee policy, please refer to www.hytronik.com/download ->knowledge ->Hytronik Standard Guarantee Policy