

1. Technical Specifications

Operation frequency	2.4 GHz - 2.483 GHz
Transmission power	4 dBm
Range (Typical indoor)	10-30m
Protocol	Bluetooth® Mesh
Operating voltage	220-240VAC 50/60Hz
Stand-by power	<0.65W (Empty load)
Switched power	Max. 40 devices, 80mA
Warming-up	5s
Sensor principle	PIR detection
Detection range (Max.)*	Installation height: 20m (forklift)
HBIR29/SV/RH	12m (person)
Detection angle	360°
Operation temperature	Ta: -20°C - +50°C
IP rating	IP20
Standard compliance	EN300328, EN301489-1, EN301489-17, EN62479, EN55015, EN61547, EN60669-1, EN60669-2-1, EN62493
Certification	CE

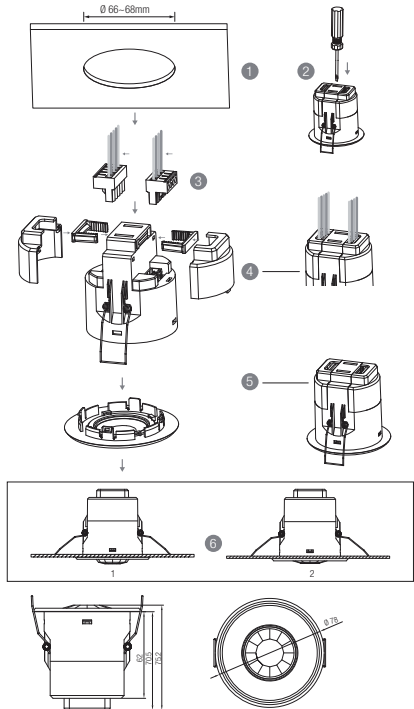
2. Download the App



The access to Silvair apps
mobile app: Silvair on the App Store
web app: platform.silvair.com

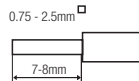
3. Installation

Mechanical Structure & Dimensions

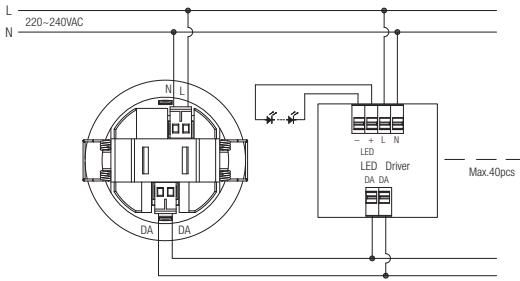


1. Ceiling (drill hole $\varnothing 66-68\text{mm}$)
2. Carefully prise off the cable clamps.
3. Make connections to the pluggable terminal blocks.
4. Insert plug connectors and secure using the provided cable clamps, then clip terminal covers to the base.
5. Fit detection blind (if required) and desired lens.
6. Clip fascia to body.
7. Bend back springs and insert into ceiling.

Wire Preparation



Pluggable screw terminal. It is recommended to make connections to the terminal before fitting to the sensor.

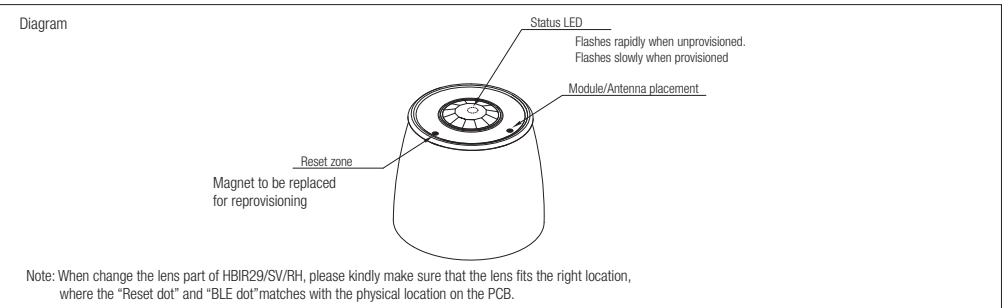


4.Mesh Factory Reset

The device HBIR29/SV/RH can be reset by placing a strong magnet (e.g. N38 neodymium magnet, d=10mm*h=4mm) near the sensor lens for 5 seconds. Once the factory reset is done successfully, the luminaire flashes and then permanent on, then the device is being able to be re-commissioned by SILVAIR app.

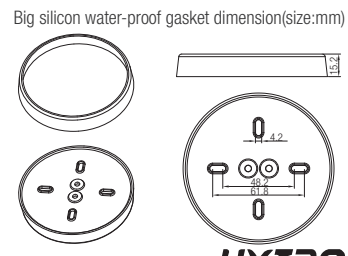
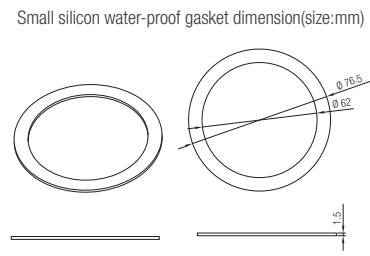
5.To Reprovision

Place a strong magnet on the site of the Reset/Hall effect sensor (see diagram 4 below). To trigger the reset the magnet must be held in position for 5 seconds.



Status LED blinking Sequence		
HBIR29/SV/RH Unprovisioned	30ms ON	300ms OFF
HBIR29/SV/RH Provisioned	15ms ON	2,000ms OFF
Factory reset	500ms ON	1,000ms OFF
Factory reset (initial burst)	100ms ON	1,000ms OFF
MESH package received	30ms ON	50ms OFF
Attention (from network)	500ms ON	500ms OFF

Big and small silicon gasket used to make IP65 degree protection when mounted into HA03 housing for ceiling mount



6. Detection Pattern & Optional Accessories

HBIR29/SV/RH (Reinforced High-bay with 3-Pyro)



HBIR29/SV/RH: Reinforced high-bay lens detection pattern for **forklift** @ Ta = 20°C
(Recommended ceiling mount installation height **10m-15m**)

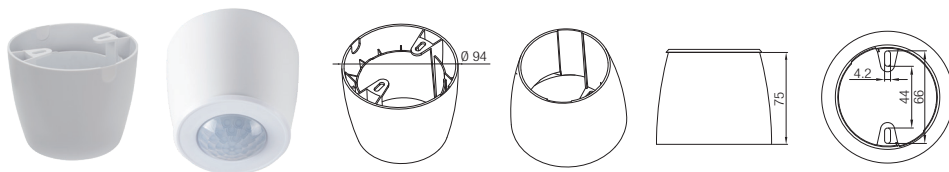
A: Tangential movement	B: Radial movement	Mount height	Tangential (A)	Radial (B)
		10m	max 346m ² (Ø = 21m)	max 177m ² (Ø = 15m)
		11m	max 660m ² (Ø = 29m)	max 177m ² (Ø = 15m)
		12m	max 907m ² (Ø = 34m)	max 154m ² (Ø = 14m)
		13m	max 962m ² (Ø = 35m)	max 154m ² (Ø = 14m)
		14m	max 1075m ² (Ø = 37m)	max 113m ² (Ø = 12m)
		15m	max 1256m ² (Ø = 40m)	max 113m ² (Ø = 12m)
		20m	max 707m ² (Ø = 30m)	max 113m ² (Ø = 12m)



HBIR29/SV/RH: Reinforced high-bay lens detection pattern for **single person** @ Ta = 20°C
(Recommended ceiling mount installation height **2.5m-12m**)

A: Tangential movement	B: Radial movement	Mount height	Tangential (A)	Radial (B)
		2.5m	max 38m ² (Ø = 7m)	max 7m ² (Ø = 3m)
		6m	max 154m ² (Ø = 14m)	max 7m ² (Ø = 3m)
		8m	max 314m ² (Ø = 20m)	max 7m ² (Ø = 3m)
		10m	max 531m ² (Ø = 26m)	max 13m ² (Ø = 4m)
		11m	max 615m ² (Ø = 28m)	max 13m ² (Ø = 4m)
		12m	max 707m ² (Ø = 30m)	max 13m ² (Ø = 4m)

Optional Accessory --- Ceiling/Surface Mount Box: HA03



7. Additional Information / Documents

- 1.Regarding precautions for PIR Sensors installation and operation, please kindly refer to www.hytronik.com/download ->knowledge ->PIR Sensors - Precautions for Product Installation and Operation
- 2.Data sheet is subject to change without notice. Please always refer to the most recent release on www.hytronik.com/products/bluetooth technology ->Partnership
- 3.Regarding Hytronik standard guarantee policy, please refer to www.hytronik.com/download ->knowledge ->Hytronik Standard Guarantee Policy