

PIR Standalone Motion Sensor with  Bluetooth® Mesh

HBIR29/SV

Technology Partner **SILVAIR**

HYTRONIK®

 Bluetooth®   CB IP20 RED  emc  CE

Product Description

HBIR29/SV is a Bluetooth PIR standalone motion sensor with 80mA DALI power supply built in, which can control up to 40 LED drivers. It is ideal for typical indoor applications such as office, classroom, healthcare and other commercial areas. Meanwhile, all commissioning and settings can be done via **SILVAIR** app.



Functions and Features

- Bluetooth® mesh compliant
- 80mA DALI broadcast output for up to 40 LED drivers
- Surface mount kit available as accessory
- PIR occupancy detection with 2 types of PIR lens and blinds
- Daylight harvesting
- Scene control, Task tuning (0-100%)
- Compact form factor
- Works with DALI LED drivers
- Autonomous sensor-based control
- OTA firmware upgrad
- Continuous dimming
- Individual/group addressing
- Decentralized control (no single point of failure)
- User-friendly design for installation
- 5-year warranty

EnOcean
Self-powered IoT



Fully support EnOcean switch




 Download on the
APP Store

The access to Silvair apps

mobile app: Silvair on the App Store

web app: platform.silvair.com

Technical Specifications

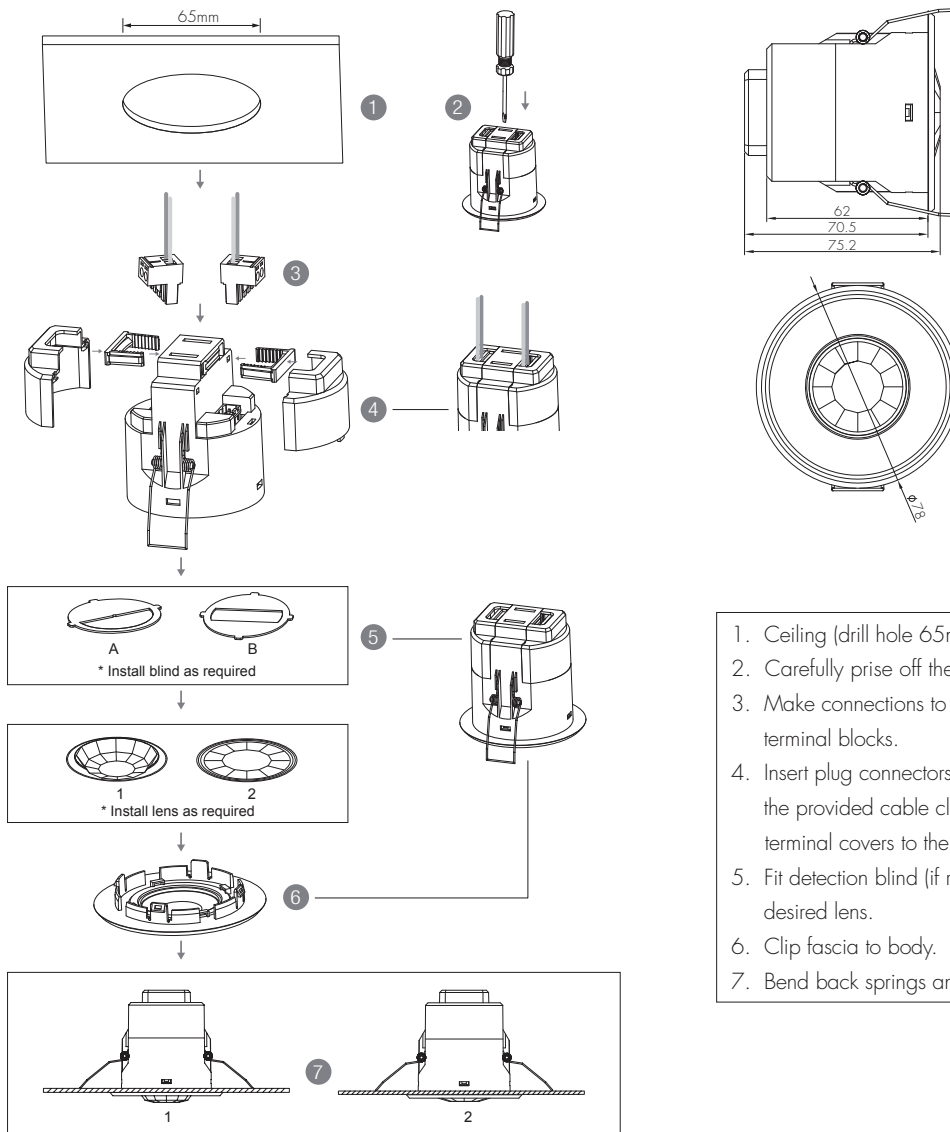
Bluetooth Transceiver	
Operation frequency	2.4 GHz - 2.483 GHz
Transmission power	7 dBm
Range (Typical indoor)	15~30m
Protocol	 Bluetooth® Mesh

Sensor Data	
Sensor principle	PIR detection
Detection range (Max.)	(Ø x H) 10m x 3m
Detection angle	360°
Mounting height	5m (maximum)

Input Characteristics	
Operating voltage	220~240VAC 50/60Hz
Stand-by power	<0.5W
Switched power	Max. 40 devices, 80mA
Warming-up	5s

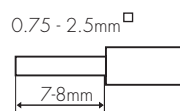
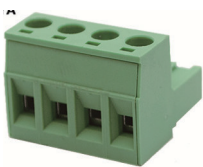
Environment	
Operation temperature	Ta: -10°C ~ +50°C
IP rating	IP20

Mechanical Structure & Dimensions



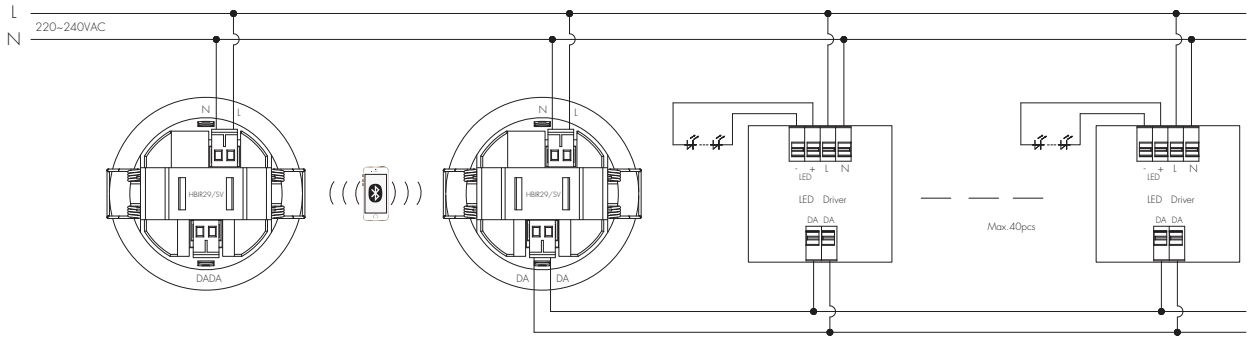
1. Ceiling (drill hole 65mm)
2. Carefully prise off the cable clamps.
3. Make connections to the pluggable terminal blocks.
4. Insert plug connectors and secure using the provided cable clamps, then clip terminal covers to the base.
5. Fit detection blind (if required) and desired lens.
6. Clip fascia to body.
7. Bend back springs and insert into ceiling.

Wire Preparation

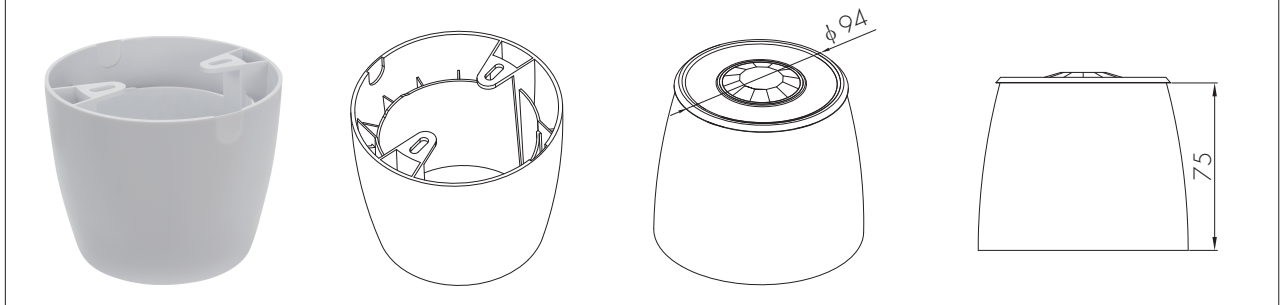


Pluggable screw terminal. It is recommended to make connections to the terminal before fitting to the sensor.

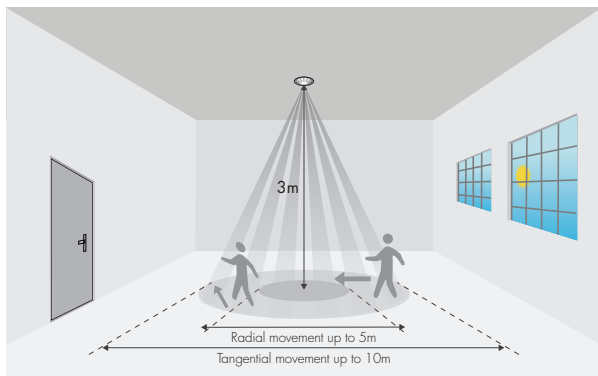
Wiring Diagram



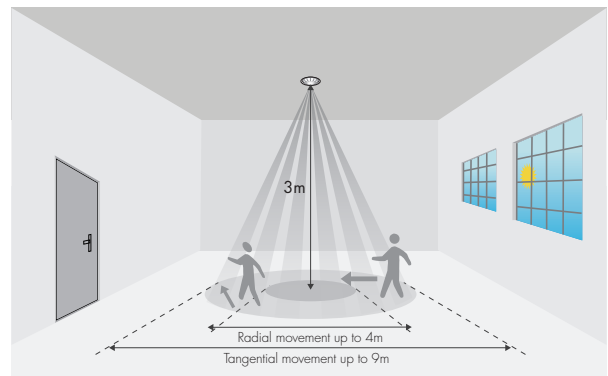
Optional Accessory – Ceiling/Surface Mount Box: HA03



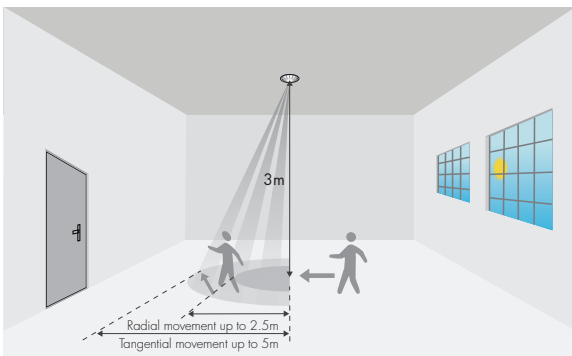
Detection Pattern



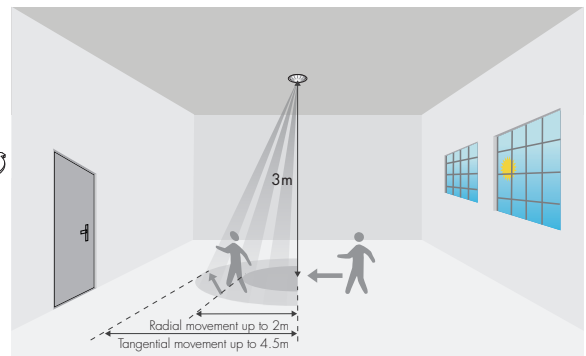
Convex Lens 



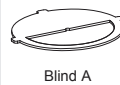
Flat Lens 

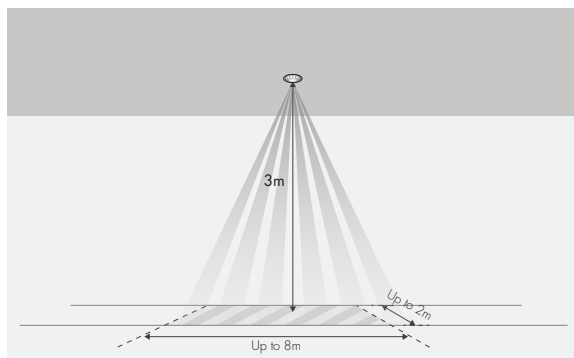



Convex Lens 

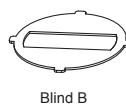


Flat Lens 

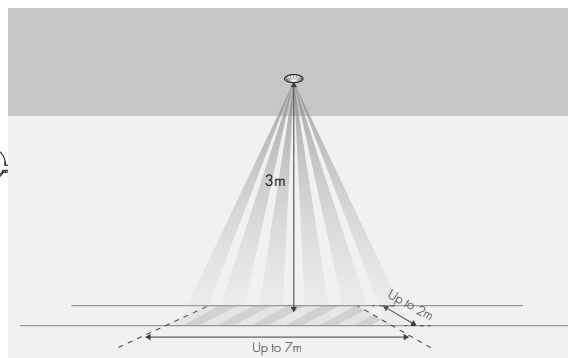




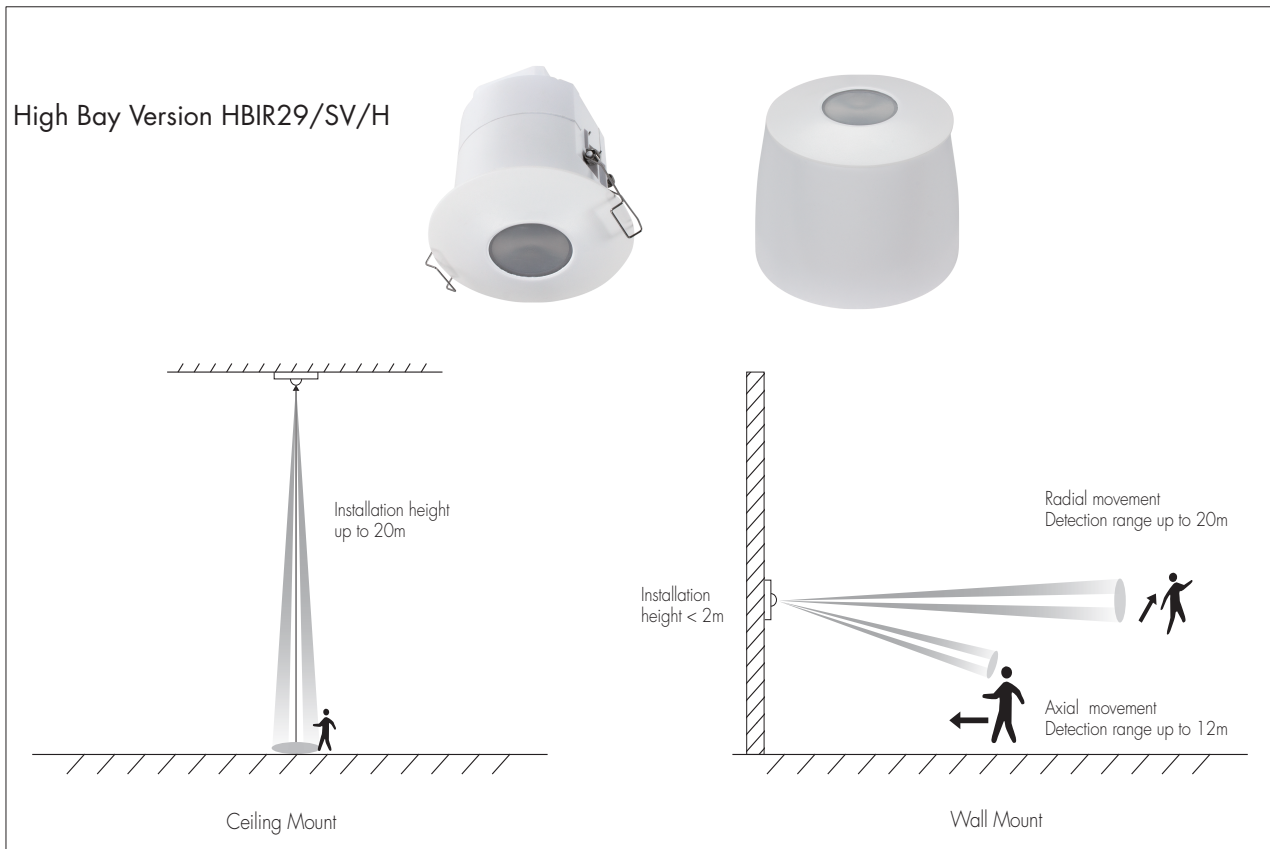
Convex Lens 



Blind B



Flat Lens 



Device reset

The device HBIR29/SV can be reset (log out) by placing a strong magnet (e.g. neodymium magnet) near the sensor lens for 5 seconds. Once the factory reset is done successfully, the luminaire flashes and then permanent on.

Additional Information / Documents

1. Data sheet is subject to change without notice. Please always refer to the most recent release on www.hytronik.com/products/bluetooth-technology ->Partnership
3. Regarding Hytronik standard guarantee policy, please refer to www.hytronik.com/download/knowledge ->Hytronik Standard Guarantee Policy