

Bluetooth Controller with 4 SELV Push Switch Input

HBTD8200P HBTD8200P/F
SELV Push Switch

HYTRONIK®



Product Description

HBTD8200P & HBTD8200P/F have 4 SELV Push input, the control signal is sent by Bluetooth to achieve on/off control, dimming control, colour tuning and even scene recall. It is designed to fit into a junction box or electrical box. Whether used for new build or retro-fit projects to add intelligent control to standard lighting fixtures, HBTD8200P & HBTD8200P/F does it all. Simple device setup and commissioning can be done via **Koolmesh™** app.



App Features

- Floorplan feature to simplify project planning
- Grouping luminaires via mesh network
- Scenes
- Push switch configuration
- Schedule to run scenes based on time and date
- Astro timer (sunrise and sunset)
- Device firmware update over-the-air (OTA)
- Power-on status (memory against power loss)
- Offline commissioning
- Different permission levels via authority management
- Network sharing via QR code or keycode
- Remote control via gateway support HBGW01
- Interoperability with Hytronik Bluetooth product portfolio
- Compatible with EnOcean BLE switches
- Continuous development in progress...

Hardware Features

- Compact design
- 4 SELV Push switch inputs
- 5-year warranty

* Certain scenes which require external photocell can be achieved by using together with Hytronik Bluetooth sensors, such as HBIR29, HCD038/BT + sensor head etc.

EnOcean
Self-powered IoT




Fully support EnOcean self-powered switch module PTM215B (HBES01/W & HBES01/B)

Bluetooth 5.0 SIG mesh

Smartphone app for both iOS & Android platform		
Koolmesh Pro app for iPad		
Web app/platform: www.iot.koolmesh.com		

Technical Specifications

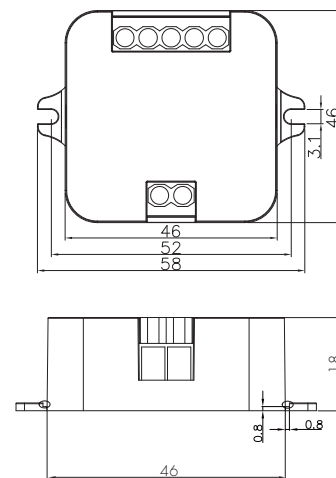
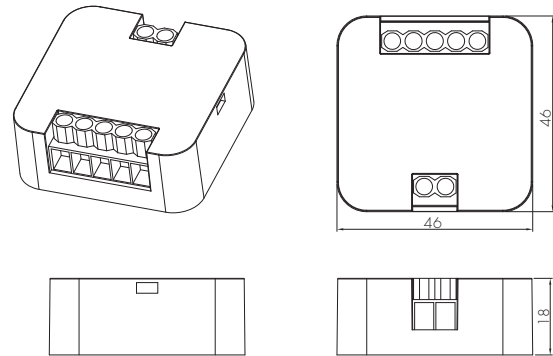
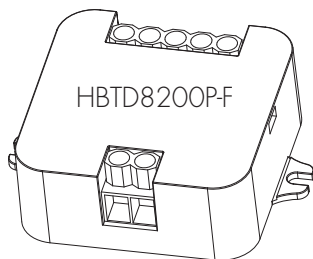
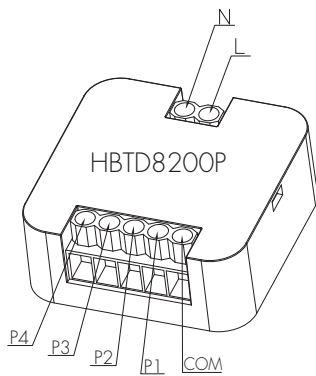
Bluetooth Transceiver	
Operation frequency	2.4 GHz - 2.483 GHz
Transmission power	4 dBm
Range (Typical indoor)	10~30m
Protocol	 Bluetooth® 5.0 SIG Mesh

Environment	
Operation temperature	Ta: -20°C ~ +50°C
Case temperature (Max.)	Tc: +75°C
Storage temperature	-40°C ~ +70°C
Relative humidity	10 ~ 90%
IP rating	IP20
Insulation	Class II

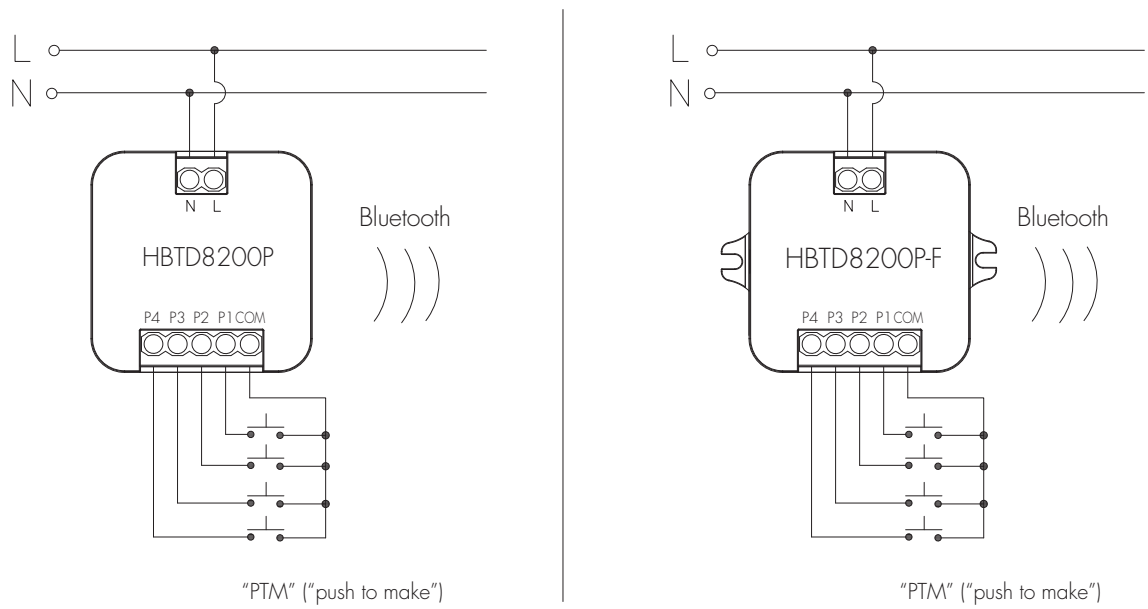
Input & Output Characteristics	
Operating voltage	220~240VAC 50/60Hz
Push switch voltage	14-16V
Stand-by power	<0.5W

Safety & EMC	
EMC standard (EMC)	EN55015, EN61547 EN61000-3-2/-3-3
Safety standard (LVD)	EN 61347-1, EN 61347-2-11, EN62493
RED	EN300328, EN301489-1 EN301489-17, EN50663
Certification	CE, UKCA, RCM

Mechanical Structure & Dimensions

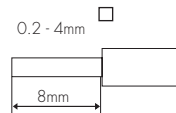


Wiring Diagram



Wire Preparation

To make or release the wire from the terminal, use a screwdriver to push down the button.



Wiring precautions:

1. A wire diameter of 0.5-4 mm for the AC input port
2. There is a standard wire diameter of 0.2-4mm for the PUSH port voltage (15V DC). Depending on the diameter of the wire, cable length can vary to optimize effectiveness. When connecting 0.2-0.5mm, the maximum length is 50m; when connecting 0.75-4mm, the maximum length is 100m.

Dimming Interface Operation Notes

Switch-Dim

The provided Switch-Dim interface allows for a simple dimming method using commercially available non-latching (momentary) wall switches. Detailed Push switch configurations can be set on Koolmesh app.

Switch Function	Action	Descriptions
Push switch	Short press (<1 second) * Short press has to be longer than 0.1s, or it will be invalid.	- Turn on/off - Turn on only - Turn off only - Recall a scene - Quit manual mode - Do nothing
	Double push	- Turn on only - Turn off only - Recall a scene - Quit manual mode - Do nothing
	Long press (≥1 second)	- Dimming - Colour tuning - Do nothing
Sensorlink (VFC signal only)	/	- Upgrade a normal on/off motion sensor to a Bluetooth controlled motion sensor
Emergency Self-Test Function	Short press (<1 second) * Short press has to be longer than 0.1s, or it will be invalid.	- Start Self test (Monthly) - Stop Self test - Start Self test (Annually) - Invalid
	Long press (≥1 second)	- Start Self test (Monthly) - Stop Self test - Start Self test (Annually) - Invalid
Fire Alarm (VFC signal only)	Refer to Koolmesh™ App User Manual V2.1	- Able to connect the Fire Alarm system - Once the fire alarm system is triggered, all the luminaries controlled by the Push Switch will enter the preset scene (normally it's full on), after the fire alarm system gives the ending signal, all the luminaries controlled by this Push Switch will revert back to normal status.

Additional Information / Documents

- To learn more about detailed product features/functions, please refer to [www.hytronik.com/download->knowledge->Introduction of App Scenes and Product Functions](http://www.hytronik.com/download->knowledge->Introduction%20of%20App%20Scenes%20and%20Product%20Functions)
- Regarding precautions for Bluetooth product installation and operation, please kindly refer to [www.hytronik.com/download->knowledge->Bluetooth Products - Precautions for Product Installation and Operation](http://www.hytronik.com/download->knowledge->Bluetooth%20Products%20-%20Precautions%20for%20Product%20Installation%20and%20Operation)
- Data sheet is subject to change without notice. Please always refer to the most recent release on [www.hytronik.com/products/bluetooth technology->Bluetooth Dimmers](http://www.hytronik.com/products/bluetooth%20technology->Bluetooth%20Dimmers)
- Regarding Hytronik standard guarantee policy, please refer to [www.hytronik.com/download->knowledge->Hytronik Standard Guarantee Policy](http://www.hytronik.com/download->knowledge->Hytronik%20Standard%20Guarantee%20Policy)