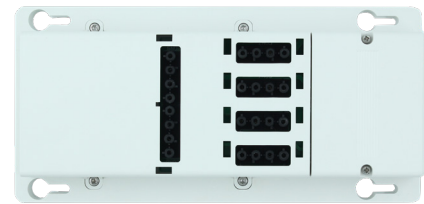


QCB01/4WAY

DALI & Switching

Product Description

GST type 4-pole terminal base quick connection box for non-dimmable control applications, with 4 luminaire outlets and 1 sensor outlet. Freely switch between 1-channel and 2-channel control. Rating of system 16A, rating of each output 10A.



Key Features

- Non-dimmable control applications
- 4 luminaire outlets + 1 extra sensor outlet for sensor connection
- Luminaire outlet: GST type 4-pole terminal base (L', E, N, Em)
- Sensor outlet: GST type 8-pole terminal base (L, E, N, L1', L2', P1, P2)
- Black housing and white housing available to choose from
- Freely switch between 1-channel (1 x 4) & 2-channel (2 x 2) control
- Tamper-proof structure design
- Rating of system: Max 16A. Rating of each output: Max 10A
- Flame-retardant material for safety protection

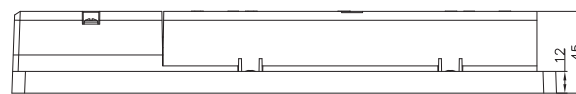
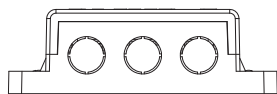
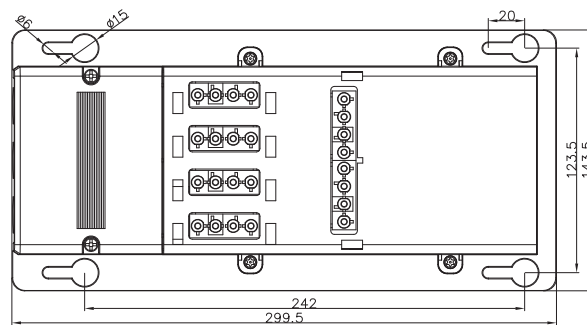
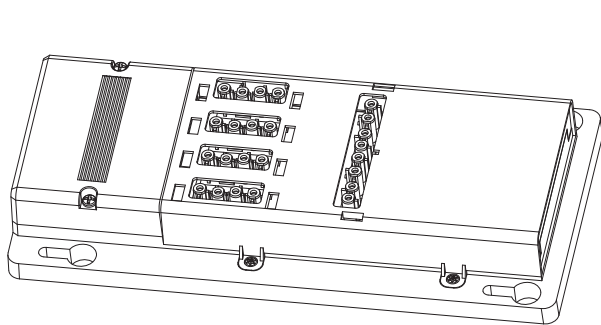
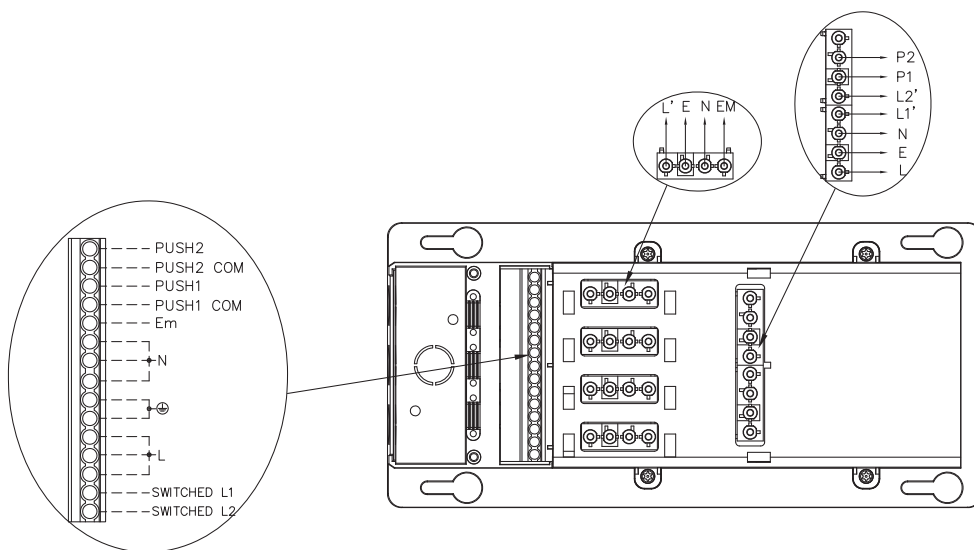
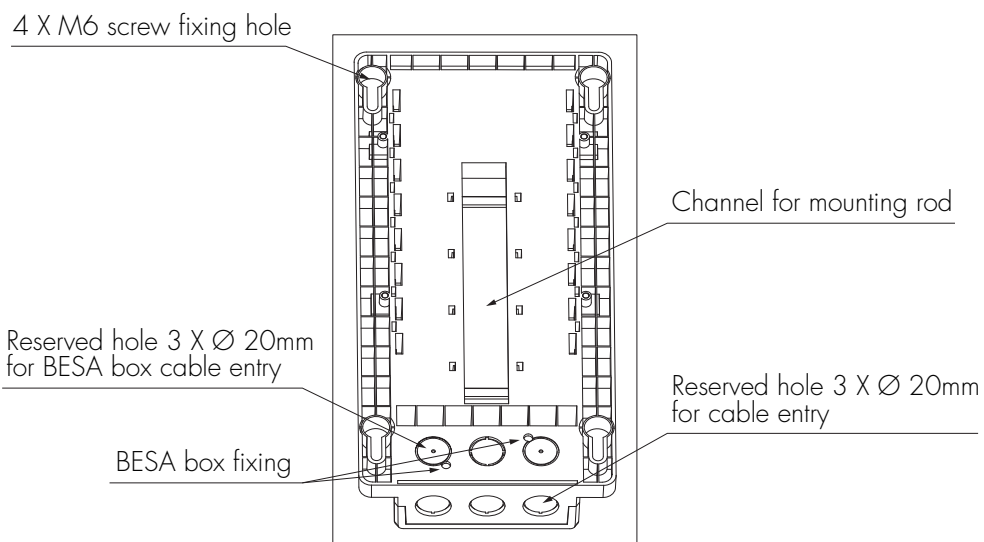
Your Benefits

- Five types of installation methods meets different project needs
- Reduce labour hours and labour cost significantly
- Simple and intuitive wiring connections
- Improved safety level during wiring operations
- Clear and clean wiring makes it easy for future maintenance
- Can be supplied with pre-wired cables

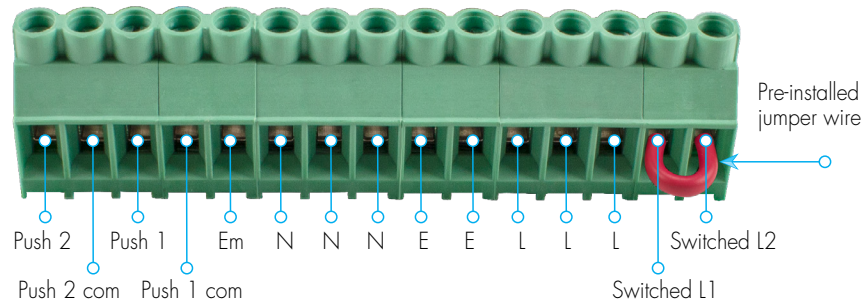
Technical Specifications

Mains voltage	220~240VAC 50/60Hz
Rated load	Rating of system 16A. Rating of each output 10A
Terminal capacity	0.75 - 4.0mm ² (max. 2 x 2.5mm ²)
Storage temperature	-20°C ~ +60°C
Max. relative humidity	20 ~ 90%
Insulation	Class II

Mechanical Structure & Dimensions

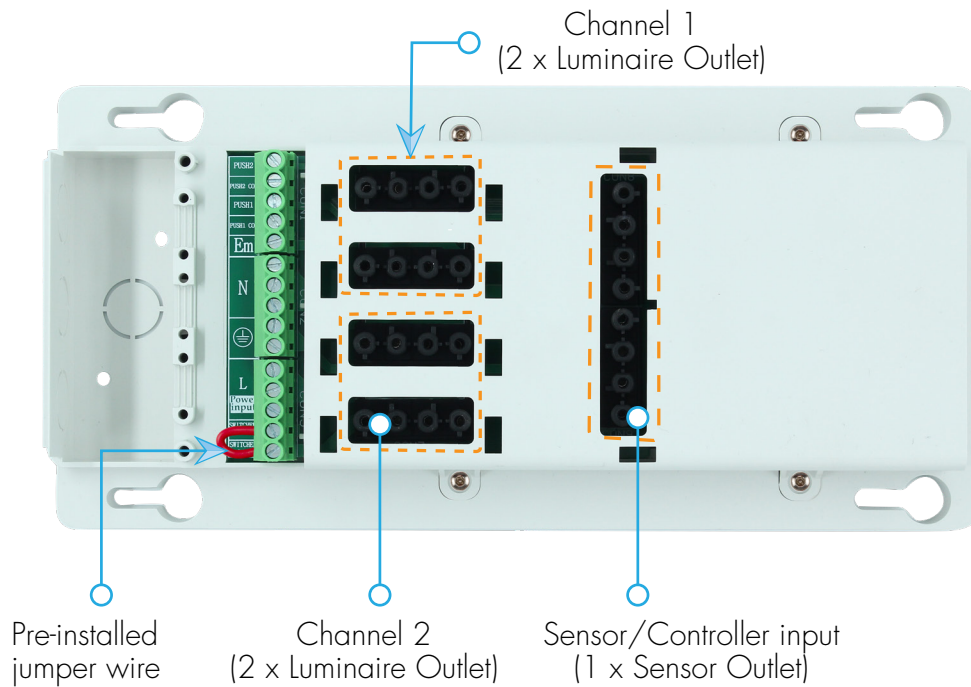
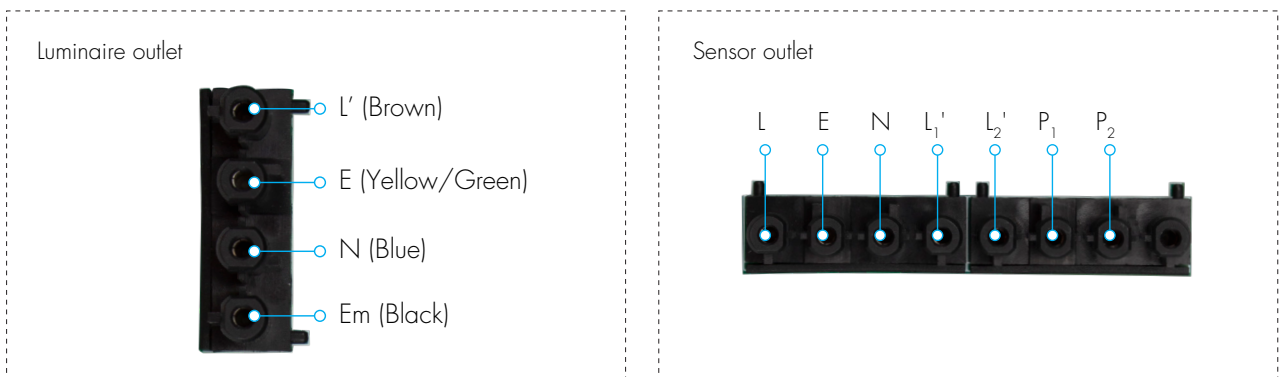


Input & Output Terminal Function



Wire Range: 0.75 - 4.0mm² (max. 2 x 2.5mm²)

Attention: When the input power supplies are from two different phases, the voltage between the two L terminal could be as high as 415V.



By removing this pre-installed jumper wire, the 4 outlets are then divided into two separate channels. This QCB01/4WAY becomes a 2-channel box with 2 x 2 luminaire outlet. The two channels will be controlled separately (Channel 1 is controlled by Switched L1, and Channel 2 is controlled by Switched L2).

Installation methods

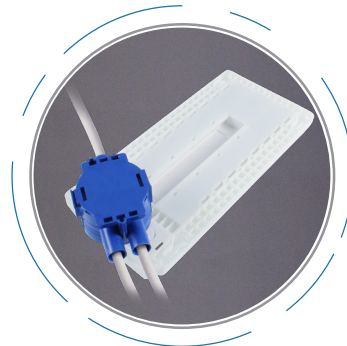
Surface Mount ▼

It can work with 4 x M6 screws to fix onto both walls and ceilings.



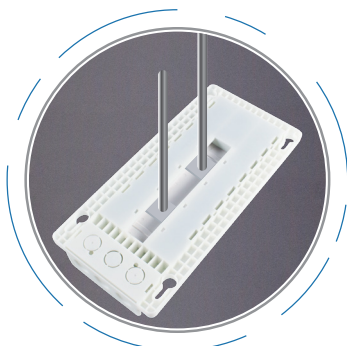
BESA/Junction Box Connection ▼

It can be connected with BESA/junction box.



Channel Nut Mount ▼

It can work with channel nuts to fasten into the back.



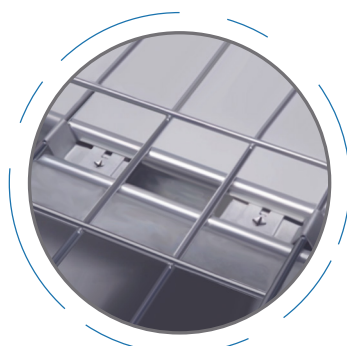
Mounting Rods ▼

It can be fixed with mounting rods.

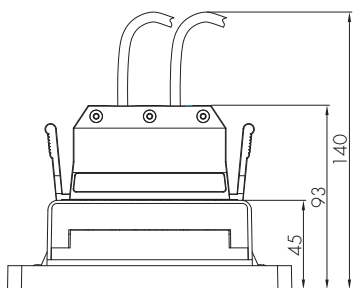


Marco Tray Mount ▼

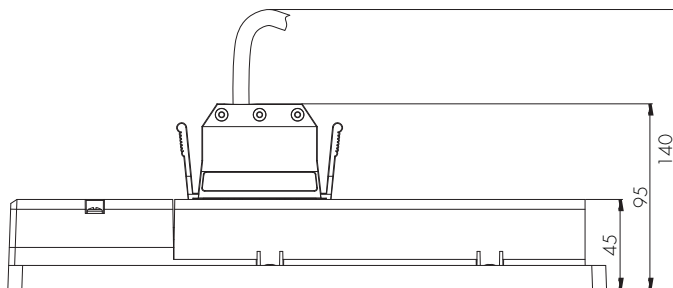
It can work with Marco clips steel wire cables tray system.



Minimum Installation Height



Sensor plug (HPO6)



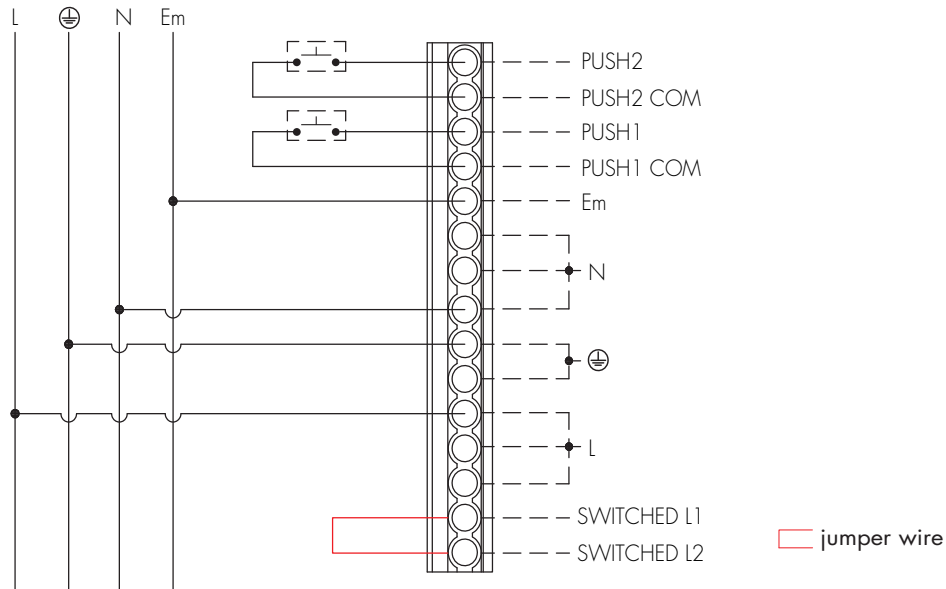
Luminaire plug (HPO3)

Note: The minimum height for total height of unit is 140mm(including connectors and cables).

Wiring Diagram

---This product should be installed by a qualified electrician.

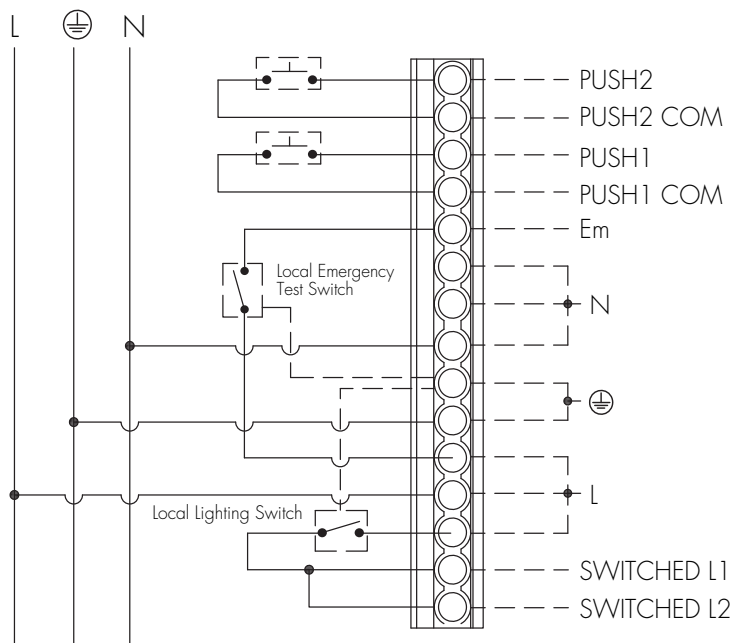
Factory default setting with four pre-installed jumper wires
One-channel (1x4) DALI dimming control



Note: 1. For two-channel (2x2) switching control please remove the jumper wire.
2. Do not wire across phases.

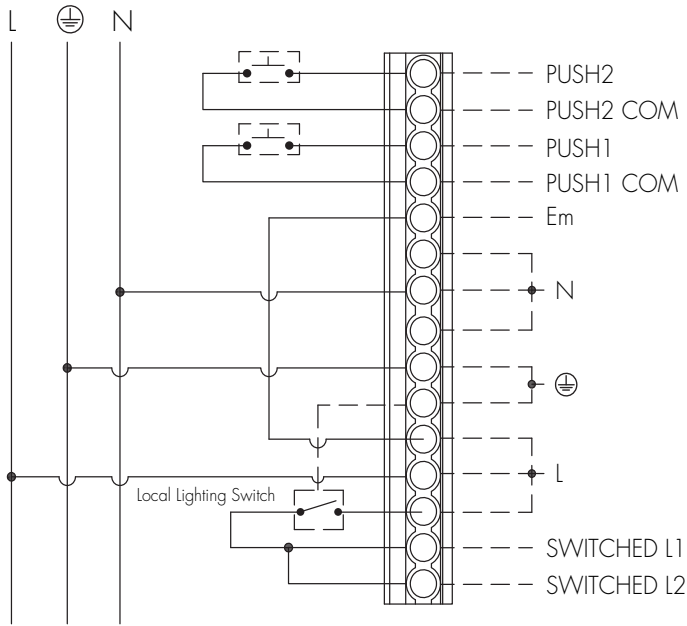
Wiring & Emergency Test

Local lighting switch and local emergency test switch



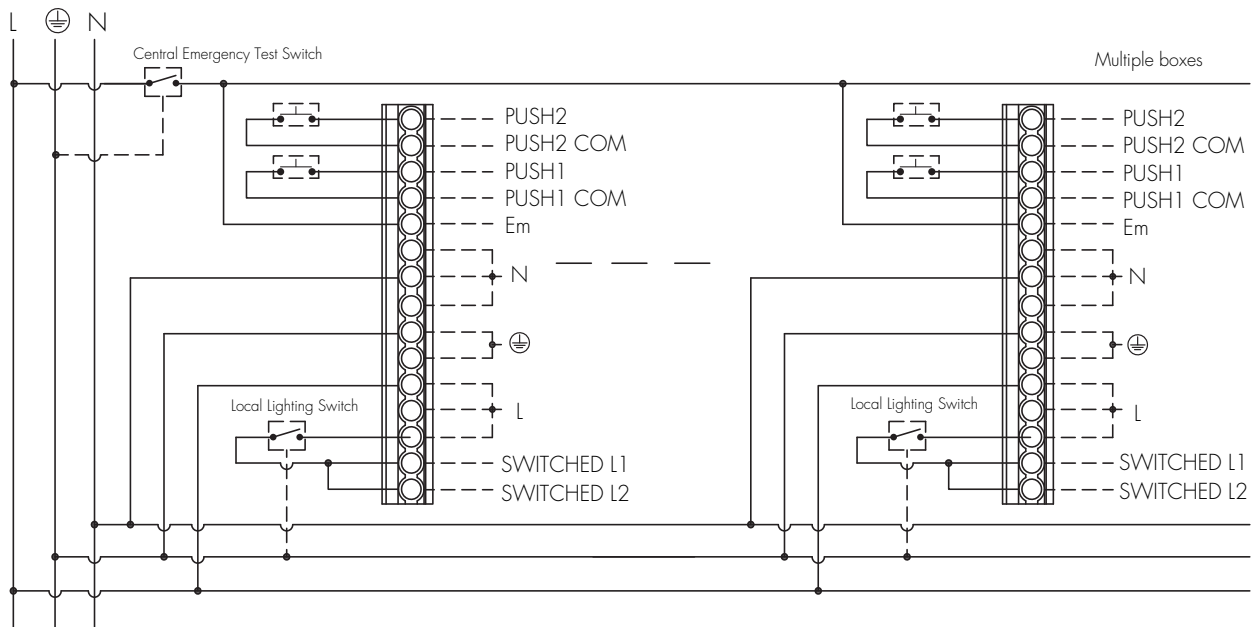
Note: Do not wire across phases.

Using Local lighting switch for power interruption



- Note: 1. A local lighting switch may still be used when there is a central emergency test switch.
 2. Do not wire across phases.

Emergency test using central switch



- Note: 1. A local lighting switch may still be used when there is a central emergency test switch.
 2. Do not wire across phases.

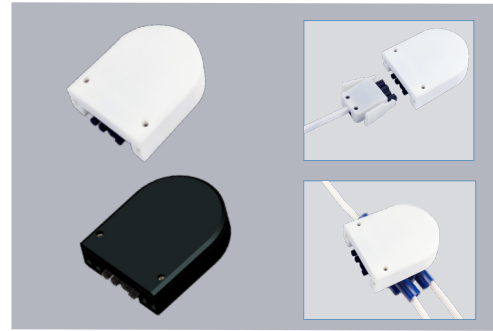
Ceiling Rose/ Conduit Box Connection

Description

Ceiling rose QCCR01 can be used when there is a need to take power from a conduit box. The installation-friendly design comes with a very spacious termination space for really easy wirings.

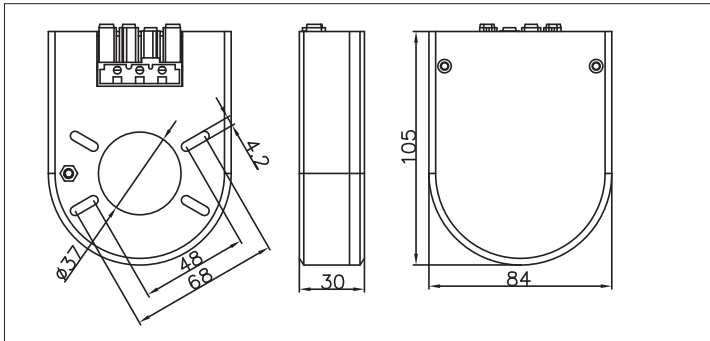
Key Features

- Can be freely placed or fixed with BESA/junction box
- Taking power from BESA/junction box
- 4-pole GST type connector (L, E, N, Em)
- Allowing fast connection with quick connection box
- 15mm depth big cabling space
- 48-68mm pitch for conduit mounting
- Nominal current max. 16A
- Flame-retardant material for safety protection

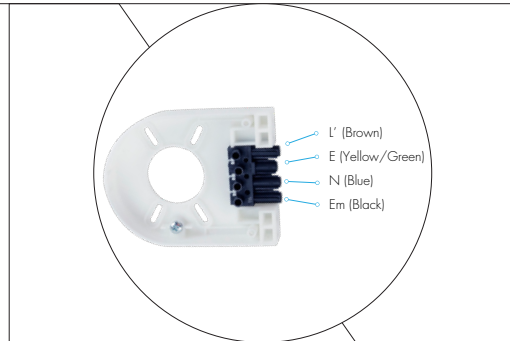


*QCCR01 is supplied with white color housing by default. Black color housing can be supplied upon request.

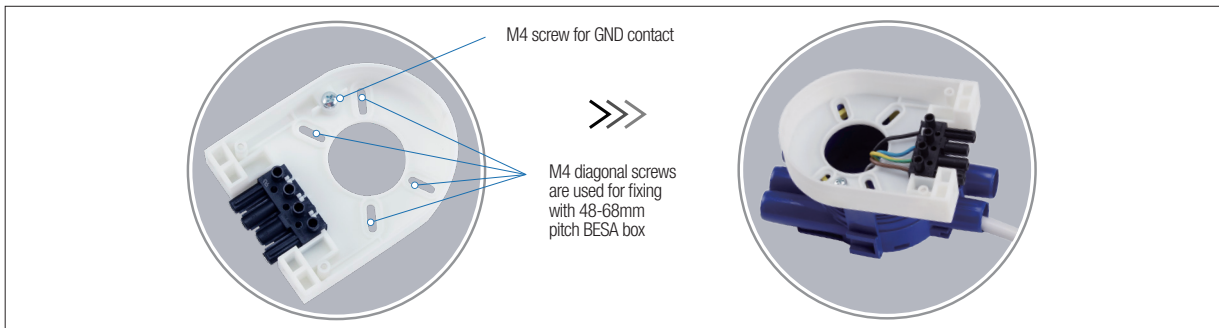
Mechanical Structure & Dimensions



Input & Output Terminal Function



Secure QCB01/4WAY with BESA/Junction box



Connection to QCB01/4WAY



Additional Information / Documents

1. Regarding Hytronik standard guarantee policy, please refer to www.hytronik.com/download ->knowledge ->Hytronik Standard Guarantee Policy