

## Product Description

HIR17 & HIR17/R are PIR motion sensors, designed with Zhaga D4i (Book 20 connection) that enables lighting designers/manufacturers to freely connect to Zhaga Book 20 LED Drivers via plug'n'play. It's a PIR sensor and also a daylight sensor, and yet comes with a surprisingly super-mini size!

## Features

-  DALI broadcast
-  Daylight harvest function to regulate light output for maintaining required lux level
-  4-in-1: Zhaga + D4i + PIR motion sensor + Daylight sensor
-  Optional accessories for different mounting style
-  Super compact mini size
-  Plug'n'Play via Zhaga Book 20 connection
-  5-year warranty
-  IP65 rated design for HIR17/R
-  coming soon...



HIR17



HIR17/R

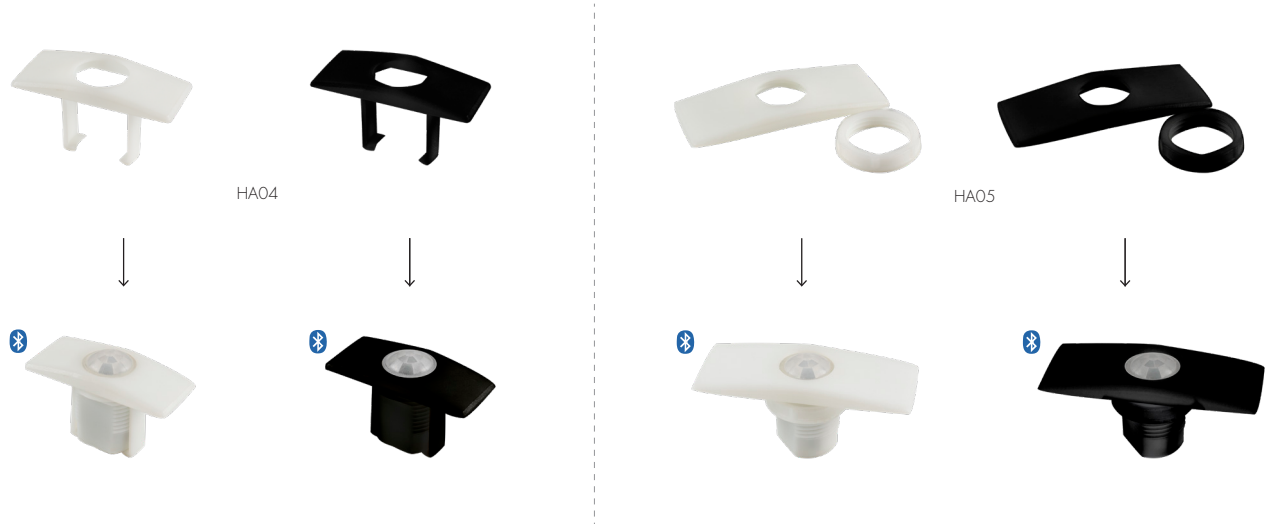
## Technical Specifications

PIR Sensor Properties (HIR17 & HIR17/R)	
Sensor principle	PIR detection
Operation voltage	9.5~22.5VDC
Detection range *	HIR17 Max installation height: 3m Max detection range (∅): 8m HIR17/R Max installation height: 8m (single person) Max detection range (∅): 10m (single person)
Detection angle	360°

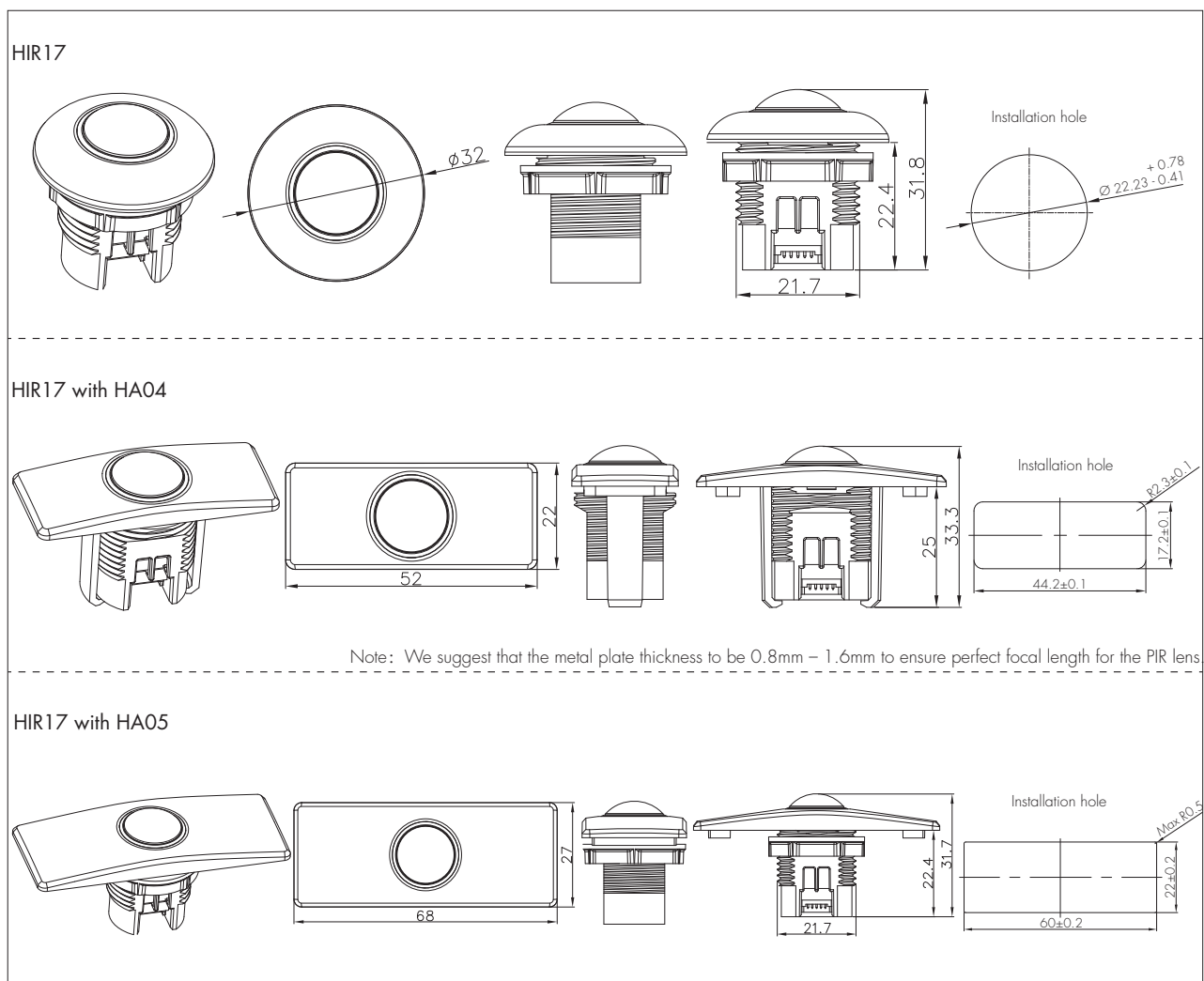
Environment	
Operation temperature	T <sub>a</sub> : -20°C ~ 50°C
Storage temperature	-40°C ~ +70°C
Relative humidity	10 ~ 90%
IP rating	IP20

\* The detection range is heavily influenced by sensor placement (angle) and different walking paces. It may be reduced under certain conditions.

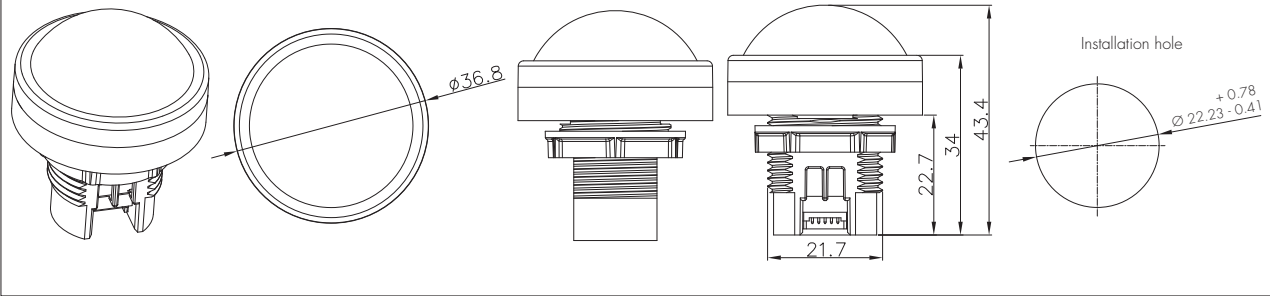
## Optional Accessories



## Mechanical Structure & Dimensions



HIR17/R (IP65)



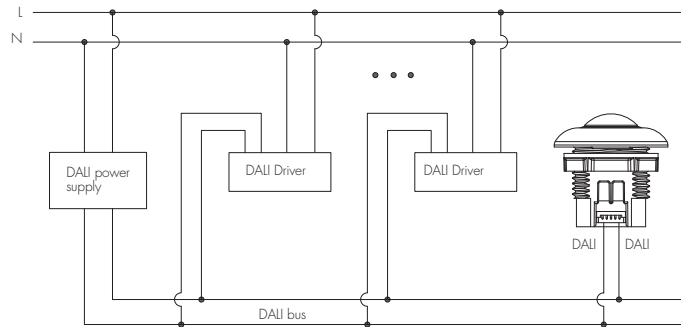
Wire Preparation



To make or release the wire from the terminal, use a screwdriver to push down the button.

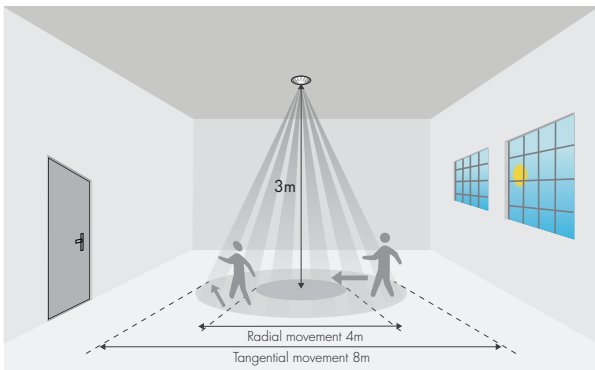
Wiring Diagram

DAI Driver

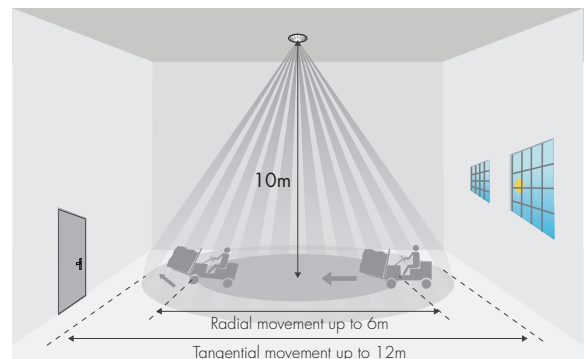


Detection Pattern

HIR17



HIR17/R



\*The detection patterns are based upon 5km/h movement speed.

## Additional Information / Documents

1. Regarding precautions for PIR Sensors installation and operation, please kindly refer to [www.hytronik.com/download ->knowledge ->PIR Sensors - Precautions for Product Installation and Operation](http://www.hytronik.com/download->knowledge->PIR%20Sensors%20-%20Precautions%20for%20Product%20Installation%20and%20Operation)
2. Data sheet is subject to change without notice. Please always refer to the most recent release on [www.hytronik.com/products/bluetooth technology ->Bluetooth Sensors](http://www.hytronik.com/products/bluetooth%20technology->Bluetooth%20Sensors)
3. Regarding Hytronik standard guarantee policy, please refer to [www.hytronik.com/download ->knowledge ->Hytronik Standard Guarantee Policy](http://www.hytronik.com/download->knowledge->Hytronik%20Standard%20Guarantee%20Policy)