

## DALI-2 Accessories

### HDD2200

DALI-2 , DT4 Trailing Edge Dimmer



### Product Description

HDD2200 dimmer, with its DT4 compatibility, receives DALI-2 control signals and converts them into trailing-edge phase dimming, which is suitable for upgrading trailing-edge phase dimming control systems. It can realise savings on installation and wiring costs and will also reduce unnecessary waste of electronic equipment, making it an environmentally sound solution for a lighting control upgrade.



### Hardware Features

-  DALI-2 Certification
-  Over-load Protection
-  Short-circuit protection
-  Open-circuit protection
-  5 Year Warranty

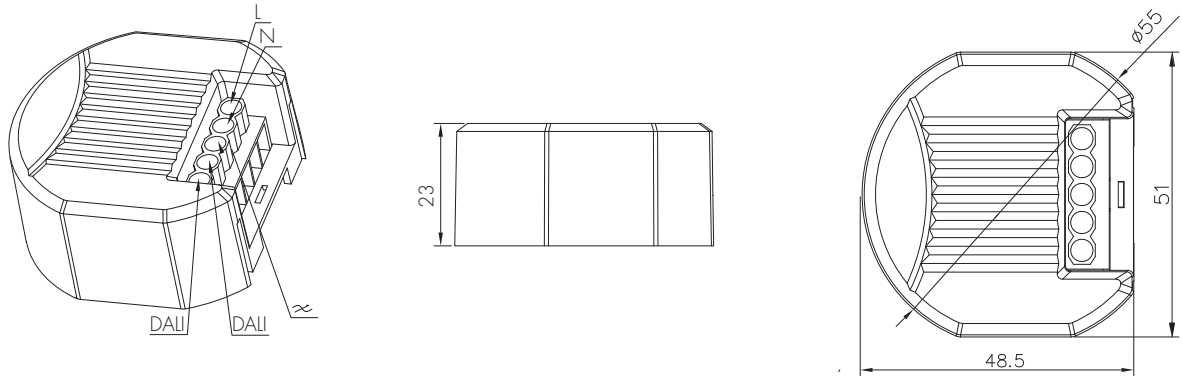
### Technical Data

Input & Output Characteristics	
Operating voltage	220~240VAC 50Hz
Stand-by power	<0.5W
Rated Load	6~200W(resistive); 6~200VA(capacitive)
Consumption DALI current	2mA

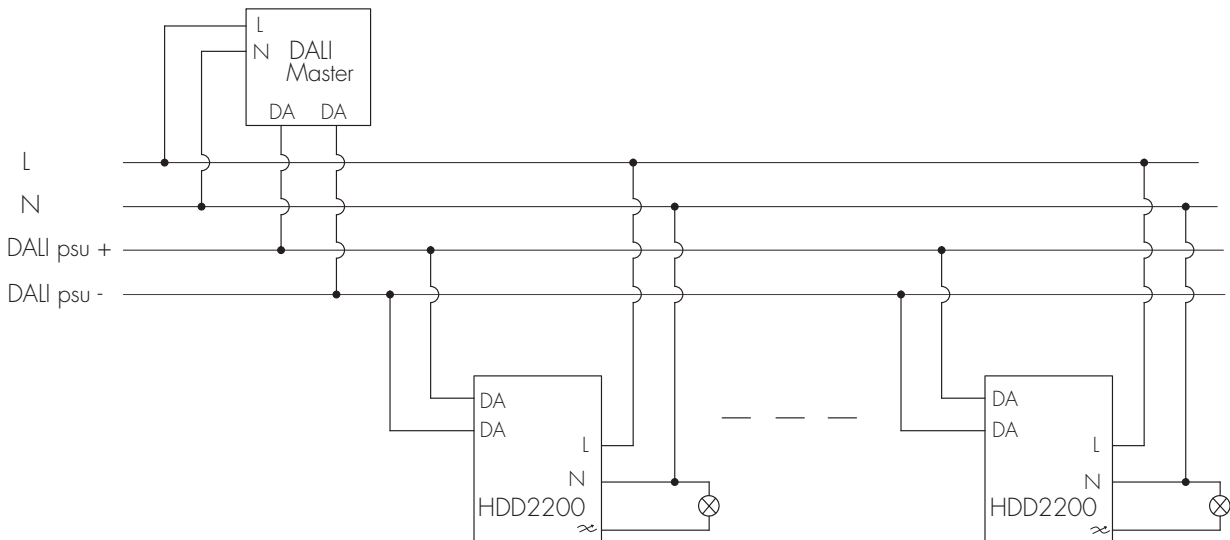
Safety & EMC	
EMC standard (EMC)	EN55015, EN61547, EN61000-3-2, EN61000-3-3
Safety standard (LVD)	EN60669-1, EN60669-2-1
DALI standard	IEC62386-101/102/205
Certification	CE, RCM, UKCA

Feature	
Dimming Range	Trailing edge dimming range 10% ~ 100%
Mounting Type	Built-in box 60mm or stand alone installation
Environment	
Operation temperature	Ta: -20°C ~ +50°C

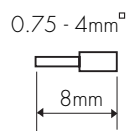
## Dimensions and Terminals (Unit: mm)



## Wiring Diagram



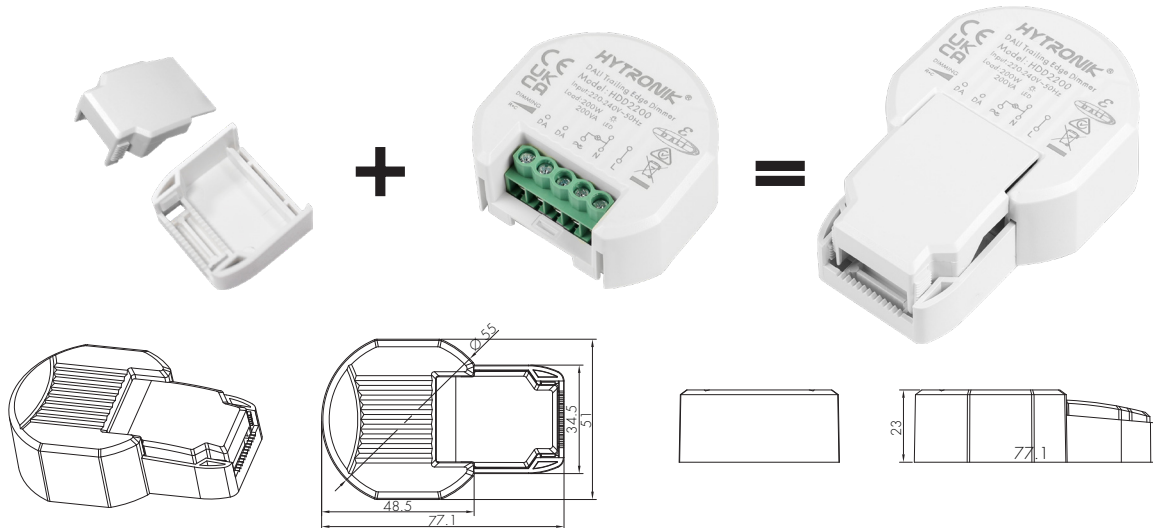
## Wire Preparation



Pluggable screw terminal. It is recommended to make connections to the terminal before fitting to the sensor.

1. 200 metres (total) max. for 1mm<sup>2</sup> CSA (Ta = 50°C)
2. 300 metres (total) max. for 1.5mm<sup>2</sup> CSA (Ta = 50°C)

## Optional Accessory : Strain-relief clip



### Note:

The current version product has done the test with the Tridonic gateway/DALI master and working properly. However, it might have a potential risk of compatibility issues with 3rd party DALI gateways or DALI masters, Hytronik cannot guarantee it will be fully compatible with all the 3rd party DALI gateways or DALI masters. Therefore, before a mass quantity order has been placed, customers need to make a full compatibility test between these products and their own 3rd party DALI gateways or DALI masters to make sure the product is working properly and no such compatibility issue. Otherwise, the potential compatibility risk and responsibility shall be taken by the customers themselves. Hytronik's Guarantee policy will not be applied to this.

### Additional Information / Documents

1. To learn more about detailed product features/functions, please kindly refer to <https://hytronik.com/service/downloads> (Controllers & Dimmers)
2. Data sheet is subject to change without notice. Please always refer to the most recent release on <https://hytronik.com/products/controllers-dimmers>
3. Regarding Hytronik standard guarantee policy, please kindly refer to <https://hytronik.com/service/downloads> (Guarantee Conditions document)