

HAKS02/B

Switches Plastic Bezel | Dual Mounting | Black Color



Benefits

Visual Contrast: The raised surroundings make it easy to notice and approach

Flexibility: Dual mounting capability for two switches side by side

User-friendly: Simple installation and removal

Applications

Dual Mounting: Suitable for 1+1 switches

Offices, Classrooms

Healthcare

Check Out the Complete System Solution on the Website:
<https://www.hytronik.com/product/HAKS02-B>

Product Description

Enhance accessibility for visually impaired individuals with our black plastic bezel designed for HBKS series switches. This accessory features a sleek (Part M) basalt grey outline that surrounds the white switch, aiding quick identification and ensuring ease of use.

HAKS02/B

Switches Plastic Bezel | Dual Mounting | Black Color

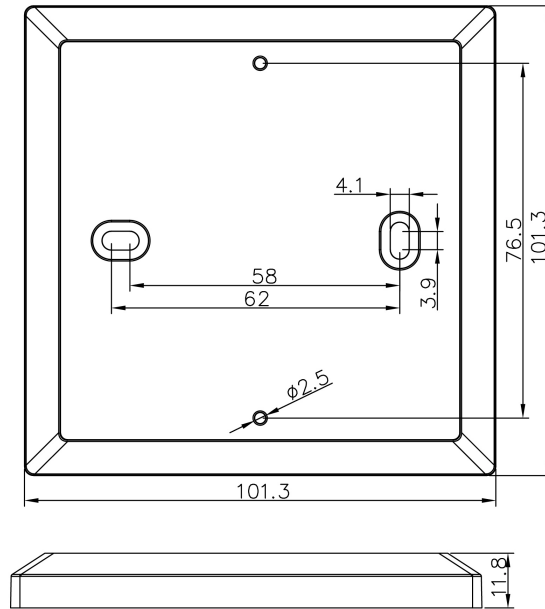
Specifications

Technical	
Product weight	71.0 g
Product height	11.8 mm
Product length	187.3 mm
Product width	101.3 mm
Mounting hole	4.1 mm

HAKS02/B

Switches Plastic Bezel | Dual Mounting | Black Color

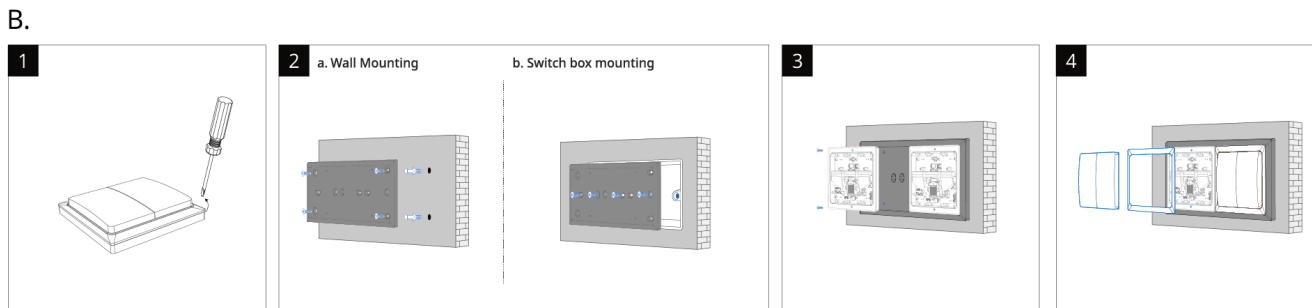
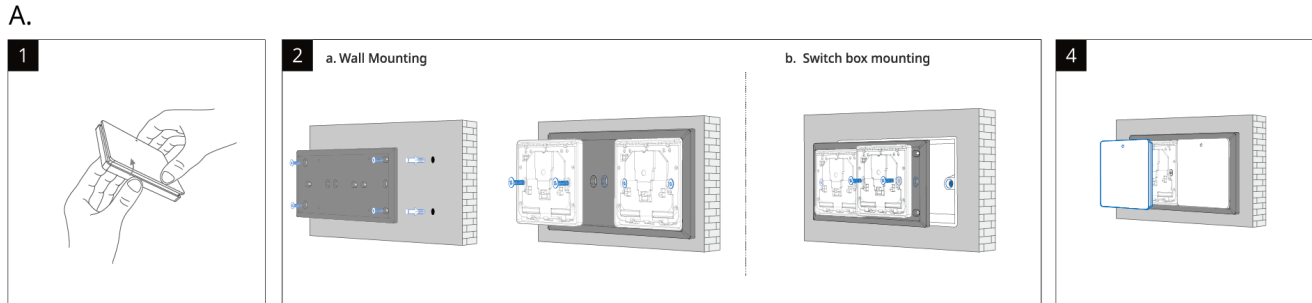
Technical Drawing



HAKS02/B

Switches Plastic Bezel | Dual Mounting | Black Color

Installation Process



Detailed Installation Instructions

Method A. Installation steps with HBKS01, HBKS02, HBKS03

1. Use both hands to lift the cover upward and remove it from the base.

2. Install on different walls

a: For wall mounting:

a1: Use $\varnothing 4.0 \times 20$ mm screws to mount the HAKS02 onto the wall.

a2: Use $\varnothing 4.0 \times 30$ mm screws to fix the aligned switch rear panel onto the HAKS02.

b. For switch box mounting:

Use $\varnothing 4.0 \times 30$ mm screws to fix the aligned switch and HAKS02 onto the switch box.

3. Snap the cover back onto the base to complete the installation.

Method B. Installation steps with HBKS01D, HBKS02D

1. Use a prying tool or screwdriver to carefully lift and open the switch bezel.

2. Install on different walls

a. For wall mounting:

Use $\varnothing 4.0 \times 20$ mm screws to fix HAKS02 onto the wall.

b. For switch box mounting:

Use $\varnothing 4.0 \times 30$ mm screws to fix HAKS02 onto the switch box.

3. Attach the switch backplate to the installed HAKS02 and secure it properly.

4. Snap the cover back onto the base to complete the installation.

HAKS02/B

Switches Plastic Bezel | Dual Mounting | Black Color

Commissioning Instructions and Precautions

Notes for Method B

1. Please control the screw tightening torque during assembly (recommended 0.1 N·m) to avoid panel deformation caused by uneven stress, which may affect button feel or function. Proper torque ensures both structural stability and appearance quality.
2. Remove the switch when the installation is completed: At the accessory groove, use a pry tool or a Ø3mm screwdriver to gently lift and remove the border. This will expose the two screw holes from installation step 3, enabling future disassembly or replacement.

Warning: For additional important documents, including installation precautions, product guidelines, and guarantee conditions, please refer to the official downloads.

<https://hytronik.com/service/downloads>

HAKS02/B

Switches Plastic Bezel | Dual Mounting | Black Color

Options

Compatible products (for full functionality)



HBKS01/W

Bluetooth Kinetic Switch | One-gang | Wireless Control
www.hytronik.com/product/HBKS01-W



HBKS02D/W

Bluetooth Kinetic Switch | Double Rocker | White Color
www.hytronik.com/product/HBKS02D-W



HBKS01D/W

Bluetooth Kinetic Switch | Single Rocker | White Color
www.hytronik.com/product/HBKS01D-W



HBKS03/W

Bluetooth Kinetic Switch | Three-gang | White Color
www.hytronik.com/product/HBKS03-W



HBKS02/W

Bluetooth Kinetic Switch | Two-gang | White Color
www.hytronik.com/product/HBKS02-W