





HA18SKT

HYTRONIK®**Product Description**

The HA18SKT receptacle is designed to be compatible with the SAM15 and HIR15 series products. It provides a Zhaga Book 18 standard interface, suitable for roadway lighting, area lighting, and occupancy lighting applications.

**Hardware Features**

-  Zhaga Book 18 standard
-  IP66 design
-  Height above luminaire: 10m
-  5-year warranty

Applications

- Highbay luminaire
- Outdoor and Indoor application
 - Walkways
 - Warehouse
 - logisitc
 - Parking Lots

Benefits

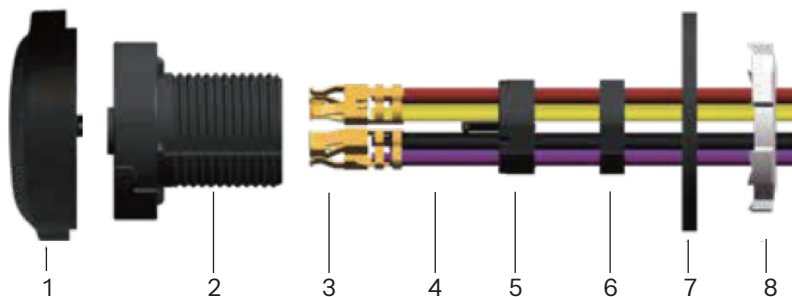
- Standardized interface defined in Zhaga Book 18 Standard
- Compact size allowing greater flexibility in luminaire design
- Advanced sealing to achieve IP66 with no mounting screws
- Flexible mounting position, upwards, downwards and sideways facing
- Integrated single gasket that seals to both luminaire and module that minimizes assembly time

Technical Specifications

Environment	
Operation temperature	Ta: -40°C ~ +70°C
IP rating	IP66

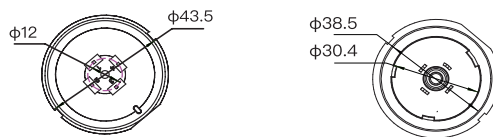
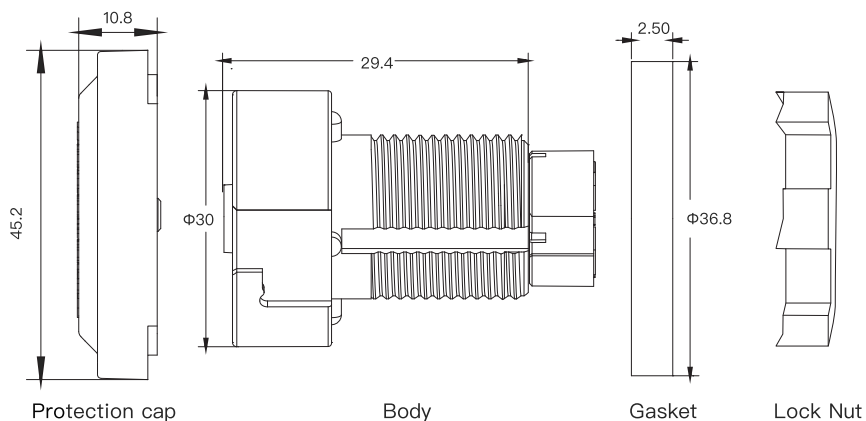
Mechanical	
Mounting	M20 X 1.5 thread
Wires	AWM1015, 20AWG,6"(120mm)
Receptacle	φ 30mm
Gasket	φ 36.5mm
Thread length	18.5mm
Capable	IK09

Mechanical Structure & Dimensions

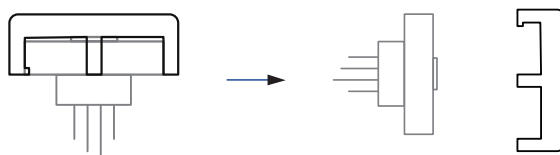


- | | |
|--------------------|---------------------|
| 1. Protection cap | 5. Retaining holder |
| 2. Receptacle body | 6. Sealant |
| 3. Contact | 7. Gasket |
| 4. Lead wire | 8. Lock nut |

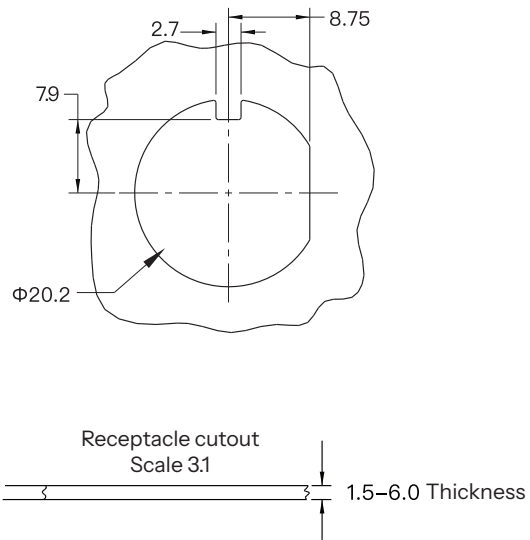
Dimensions



Protection cap



Installation Scenario



*Note: The hole is a special-shaped hole, which can not be applied to all lamps and lanterns.

Additional Information / Documents

1. Regarding Hytronik standard guarantee policy, please kindly refer to <https://hytronik.com/service/downloads> (Guarantee Conditions document)