

# HA03/IP54

Plastic Mount Box | Surface Mounting | Includes IP54 Waterproof Gasket



## Benefits

- Convenient: Housing in stand-alone sensor for surface mount
- Durable: Made of plastic materials, offering light weight and safety
- Easy: Simple installation

## Applications

- Sensor housing for ceiling/surface mounting
- Offices
- Classrooms

Check Out the Complete System Solution on the Website:  
<https://www.hytronik.com/product/HA03-IP54>

## Product Description

The HA03/IP54 Plastic Mount Box with IP54 Waterproof Gasket, offers seamless integration with standalone sensors. Made of lightweight and safe plastic material, ensures reliable mounting in diverse environments, enhancing sensor functionality and accessibility.

# HA03/IP54

Plastic Mount Box | Surface Mounting | Includes IP54 Waterproof Gasket

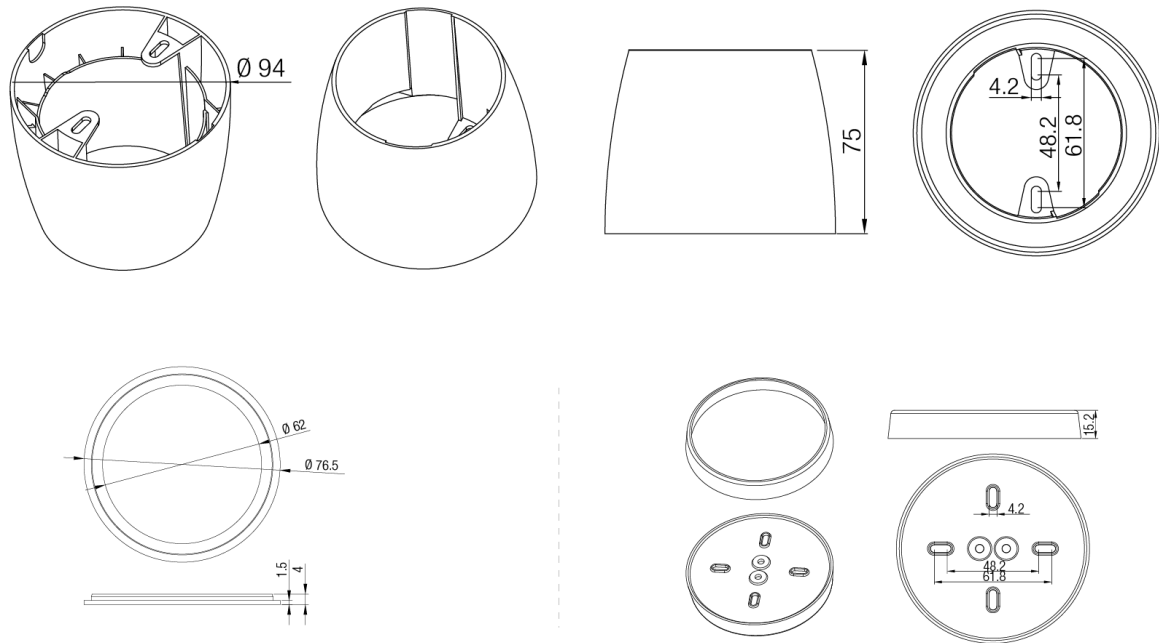
## Specifications

Technical	
Product weight	104.0 g
Product height	75.0 mm
Product length	94.0 mm
Product width	94.0 mm
Mounting hole	4.2 mm

# HA03/IP54

Plastic Mount Box | Surface Mounting | Includes IP54 Waterproof Gasket

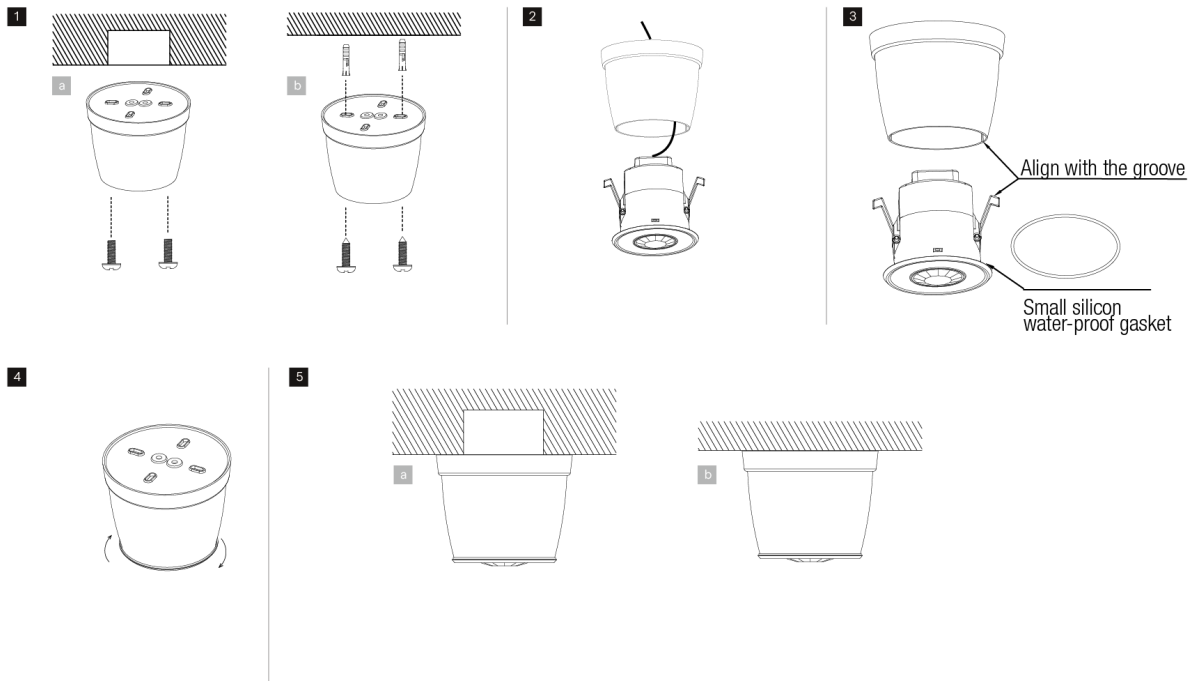
## Technical Drawing



# HA03/IP54

Plastic Mount Box | Surface Mounting | Includes IP54 Waterproof Gasket

## Installation Process



## Detailed Installation Instructions

**Install with big and small silicone water-proof gasket to achieve IP54 rating.**

1. Fix the surface-mount box.
  - a. with junction box
  - b. without junction box
2. Thread the cable through the big silicone water-proof gasket and fix the cable.
3. Insert the small silicone water-proof gasket into the lens cover. Align the groove with the spring and install the sensor into the surface-mount box.
4. Rotate the sensor counter-clockwise till the end to tighten up.
5. Finished.
  - a. with junction box
  - b. without junction box

# HA03/IP54

Plastic Mount Box | Surface Mounting | Includes IP54 Waterproof Gasket

## Commissioning Instructions and Precautions

1. This product should be installed by a qualified electrician.
2. Installation steps vary depending on ceiling type. Follow the datasheet for approved installation process to ensure compliance.

**Warning:** For additional important documents, including installation precautions, product guidelines, and guarantee conditions, please refer to the official downloads.

<https://hytronik.com/service/downloads>

# HA03/IP54

Plastic Mount Box | Surface Mounting | Includes IP54 Waterproof Gasket

## Options

### Compatible products (for full functionality)



#### **HBIR29**

PIR Lowbay | Bluetooth DALI + Circadian Rhythm | Ceiling mounting  
[www.hytronik.com/product/HBIR29](http://www.hytronik.com/product/HBIR29)



#### **HBIR29/RH**

PIR Highbay | Bluetooth DALI + Circadian Rhythm | Ceiling mounting  
[www.hytronik.com/product/HBIR29-RH](http://www.hytronik.com/product/HBIR29-RH)



#### **HBIR29/H**

PIR Highbay | Bluetooth DALI + Circadian Rhythm | Ceiling mounting  
[www.hytronik.com/product/HBIR29-H](http://www.hytronik.com/product/HBIR29-H)



#### **HBMW29/PRO**

True Occupancy | Bluetooth/DALI | Ceiling mounting  
[www.hytronik.com/product/HBMW29-PRO](http://www.hytronik.com/product/HBMW29-PRO)



#### **HBIR29/R**

PIR Midbay | Bluetooth DALI + Circadian Rhythm | Ceiling mounting  
[www.hytronik.com/product/HBIR29-R](http://www.hytronik.com/product/HBIR29-R)